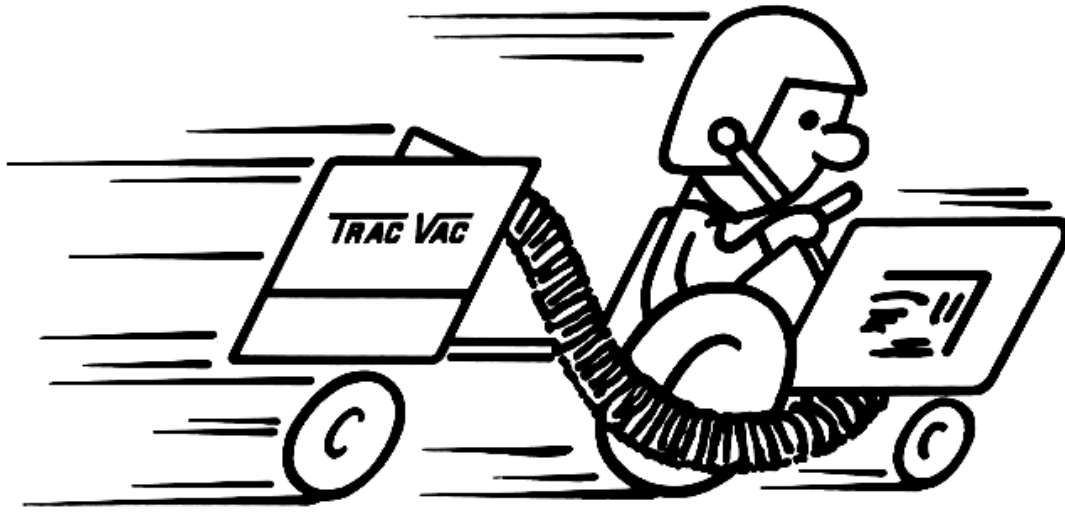


# ***TRAC VAC***

**Model 858-RH**



## **Operating and Assembly Manual**

**Midwest Equipment Mfg.  
5225 Serum Plant Road  
Thorntown, IN 46071**

# SAFETY RULES

**Remember**, any power equipment can cause injury if operated improperly or if the user does not understand how to operate the equipment. Exercise caution at all times when using power equipment.

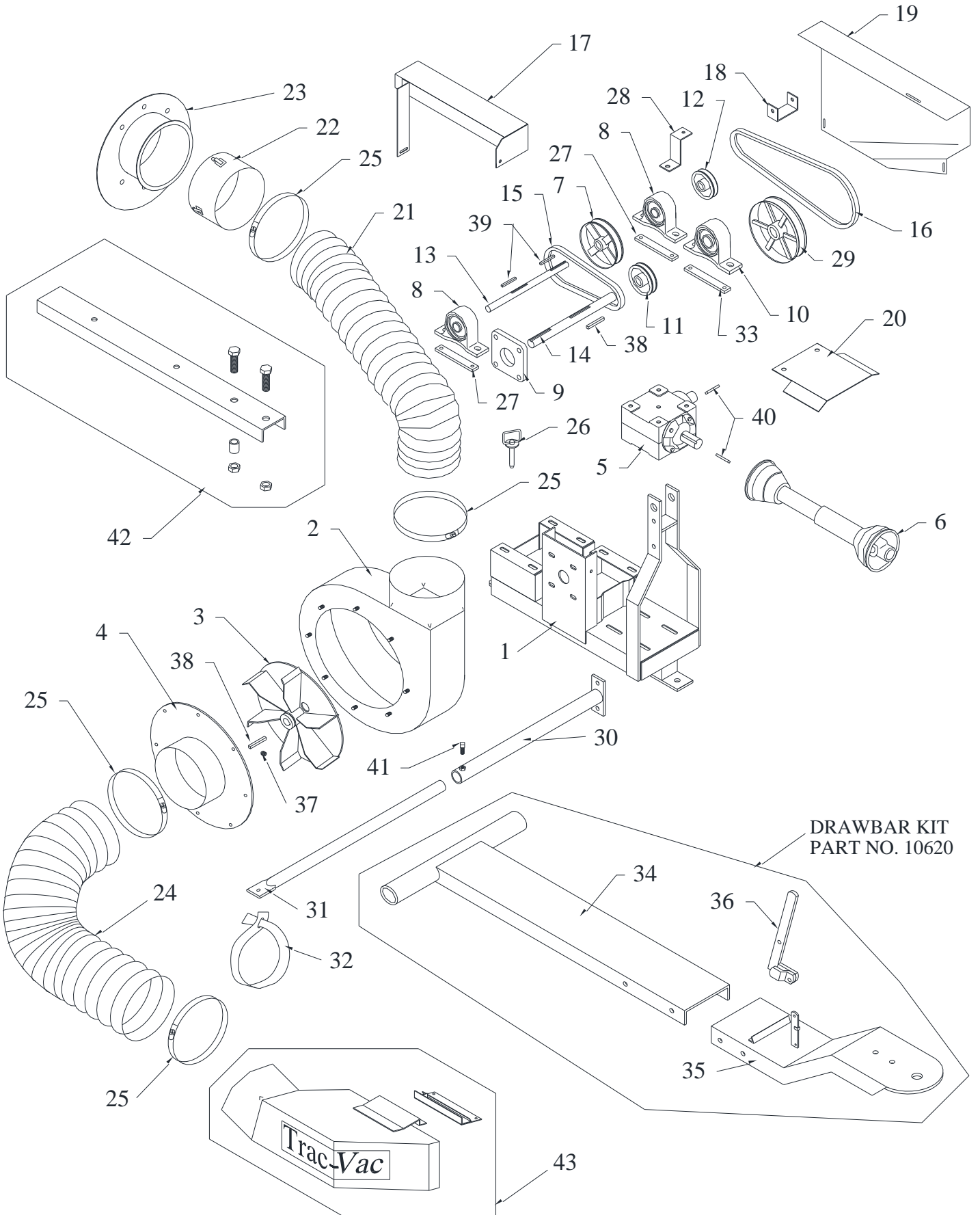


**This symbol means Attention!!!! It is used to point out safety precautions.**

- Read and follow all instructions in this manual before assembly or operation of this equipment. Failure to comply with these instructions may result in personal injury. Keep this manual for future reference and for ordering replacement parts.
- Read this instruction manual carefully. Become familiar with the controls and proper use of this equipment.
- Read the engine owners manual and safe operation rules before using this equipment.
- Never allow children less than 16 years of age to operate the Trac-Vac. Children 16 years and older should operate **only** under close parental supervision.
- Do not allow anyone to operate this equipment without proper instruction.
- Do not allow passengers to ride on the Trac-Vac or on the towing vehicle.
- Keep children and pets out of area of operation.
- Check fuel before starting engine. **Do Not** fill fuel tank indoors, or while engine is running or hot. Wipe off any spilled fuel before starting engine.
- Engine and muffler get **HOT! Do Not** touch! Keep debris from accumulating on or around engine and muffler to avoid fire hazard.
- Allow engine to cool before storing in any enclosed area. Never store Trac-Vac with fuel in tank.
- Do not operate engine if air cleaner or cover is removed, except for adjustments. Removal of the part could create a fire hazard.
- Keep hands, feet, face, long hair and clothing out of inlet and discharge areas. There are **ROTATING BLADES** inside these openings.
- Make certain that all moving parts come to a complete stop before cleaning, repairing or inspection. Disconnect spark plug wire and keep away from plug to prevent accidental starting.
- If Trac-Vac should become clogged with debris, **SHUT OFF ALL ENGINES** and wait until impeller comes to a complete stop before attempting to remove obstruction. Disconnect spark plug wire to prevent accidental starting.
- If excessive vibration occurs while operating your Trac-Vac, stop the engine immediately, disconnect the spark plug wire and allow all moving parts to stop completely before taking the following steps.
  - A. Inspect for damage.
  - B. Repair or replace any damaged parts.
  - C. Check for loose parts and tighten to assure continued safe operation.
- Check all hardware periodically to insure safe operation.
- Check cart cover periodically for wear and replace if worn or damaged.
- **Never** operate Trac-Vac without intake hose and exhaust hose attached in proper place.
- **Do Not** remove exhaust hose or attempt to empty contents of cart while engine is running.
- Keep all shields and guards in place and securely attached.
- Always wear eye protection (safety glasses or goggles) when operating this equipment.
- **Do Not** stand behind cart in exhaust discharge area while engine is running.
- **Do Not** operate this equipment while intoxicated or while taking medications that could impair reactions or senses.
- Operate this equipment at reduced ground speed on rough terrain, along creeks and ditches and on slopes to prevent tipping or loss of control.
- Vehicle stability and braking are affected by the addition of this unit. Do not fill the Trac-Vac to its full capacity without checking the capability of the towing vehicle to safely pull and stop with the unit attached.
- **Do Not** operate on slopes in excess of 10 degrees. **STAY OFF OF STEEP SLOPES!**
- Follow the maintenance instructions outlined in this manual.



# Model 858 Trac-Vac Parts List



11-19-14

## Model 858 Trac-Vac Parts List

<u>Key</u>	<u>Part No.</u>	<u>Description</u>	<u>Qty.</u>
1	85810	Frame, 854-RH	1
2	18030	Turbine Housing, RH	1
3	86040	Turbine	1
4	18050	8" Inlet	1
5	85001	Gearbox	1
6	85023	PTO Shaft	1
7	85016	Pulley, MA 55 x 3/4"	1
8	85009	Bearing, 3/4" Pillow Block	2
9	85028	Bearing, 1" Flange	1
10	85029	Bearing, 1" Pillow Block	1
11	85027	Pulley, 8400 x 1"	1
12	85015	Pulley, 8400 x 3/4"	1
13	18104	Shaft, 3/4"	1
14	18109	Shaft, 1"	1
15	85101	Belt, AX25	1
16	85102	Belt, AX40	1
17	85032	Belt Guard, RH	1
18	85812	Guard Mount Tab	1
19	85020	Belt Guard, Outer, RH	1
20	85008	U-Joint Guard	1
21	86101	Exhaust Hose, 8" x 60"	1
22	86060	Hose Connector	1
23	18070	Cart Connector	1
24	88101	Intake Hose, 8" x 90"	1
25	18119	8" Hose Clamp	4
26	58104	Hitch Pin	1
27	85019	Bearing Support	2
28	85026	Support, Belt Guard	1
29	85014	Pulley, AK74 x 1"	1
30	85811	Support Arm, 858	1
31	18125	Support Arm Extension	1
32	18118	8" Hose Support Strap	1
33	85034	Bearing Support, 1" Pillow Block	1
34	10606	Drawbar	1
35	10605	Drawbar, Step-up	1
36	58061	Cart Latch	1
37	3750238	3/8"-24 x 3/8" Set Screw, Turbine	1
38	2501716	1/4" Square Key Stock x 2 1/2"	2
39	1871714	3/16" Square Key Stock x 1 3/4"	2
40	2501712	1/4" Square Key Stock x 1 1/2"	2
41	3121875	5/16"-18 x 3/4" Sq. Head Set	1
42	858**	Mount Kit 858 (Tractor Specific)	1
43	***-8	8" Deck Chute Assembly	1
	85888	Hardware Bag, 858	1
	45131	Decal, 2" x 8" Trac-Vac white	1
	45133	Decal, Warning Stop Engine	1

## GENERAL INSTRUCTIONS

Your Model 858 Trac-Vac is designed to mount to the drawbar and center link of your compact tractor. It does not require the use of the lower arms of the 3-point hitch to mount.

Each unit requires a tractor specific mount kit that will need to be installed to the drawbar of your tractor. Once the kit is installed the frame on the Model 858 bolts to the mount kit via two 1/2" x 1 1/4" hex bolts and locknuts included in the hardware package of the Model 858 Trac-Vac.

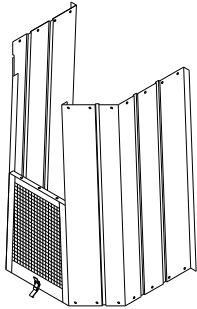
Please refer to instructions in the mount kit in conjunction with this manual to install your Model 858 Trac-Vac.

Once installed be sure that the lower arms of the 3-point hitch are free to move through their full range of motion as this is usually how the mid-mount deck achieves its movement up and down.

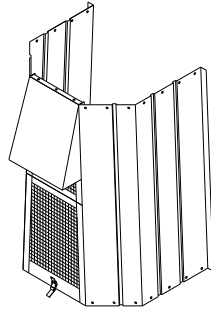


# Model 280 Cart Cover Assembly Instructions

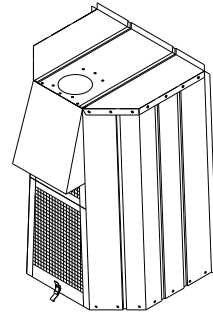
**NOTE: Do not tighten any bolts until the end of construction.**



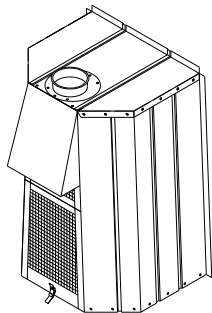
Place side panels on end with decal outward and about a foot apart at top. Place screen with latch, ( rear screen), on end between sides with latch outward and to the floor. Attach to sides with 1/4 x 1/2 bolts.



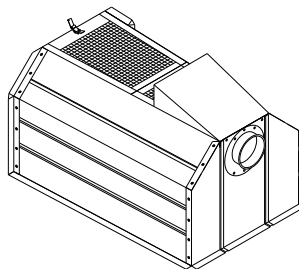
Place screen without latch, (front screen), on top of rear screen and between sides. Secure to rear screen with 1/4 x 1/2 bolts. Slip deflector between sides and front screen with tapered end up. Secure with 1/4 x 1/2 bolts.



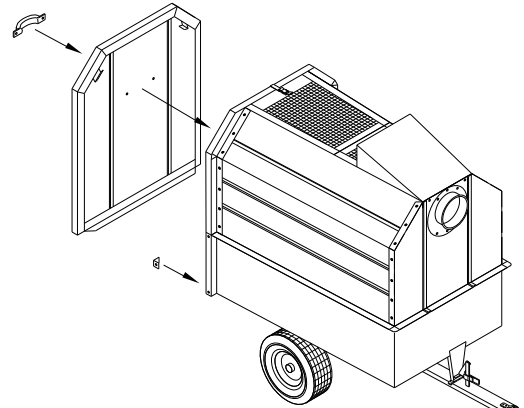
Place front on sides with flanges on outside . Start corner bolts in sides and screen before tightening. Start bolts at top & bottom of side panels and work your way toward center, with truss head, round, to the outside.



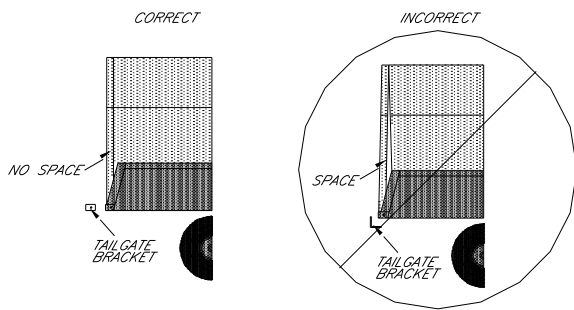
Place connector, (packed in with vac), on outside of front with the lip to the outside. Attach with 1/4 x 1/2 bolts.



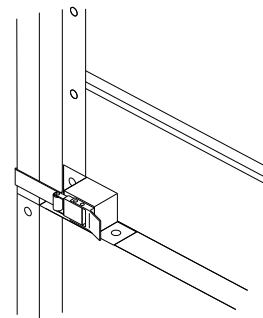
Place cover flat on floor and attach angles to side panels at rear of cover with angles on the outside of cover. Secure with 1/4 x 1/2 bolts. Start at the top and second hole from the bottom, (latch uses bottom hole), then work towards the center of the panels. Bolts truss, (round), head should be to the inside of cart.



Attach handle to tailgate on smooth side. Place cover on cart. Make sure the two lower black angle brackets have been installed on the lower rear of the cart. Fit tailgate to the cover using the top latch and lower brackets only.

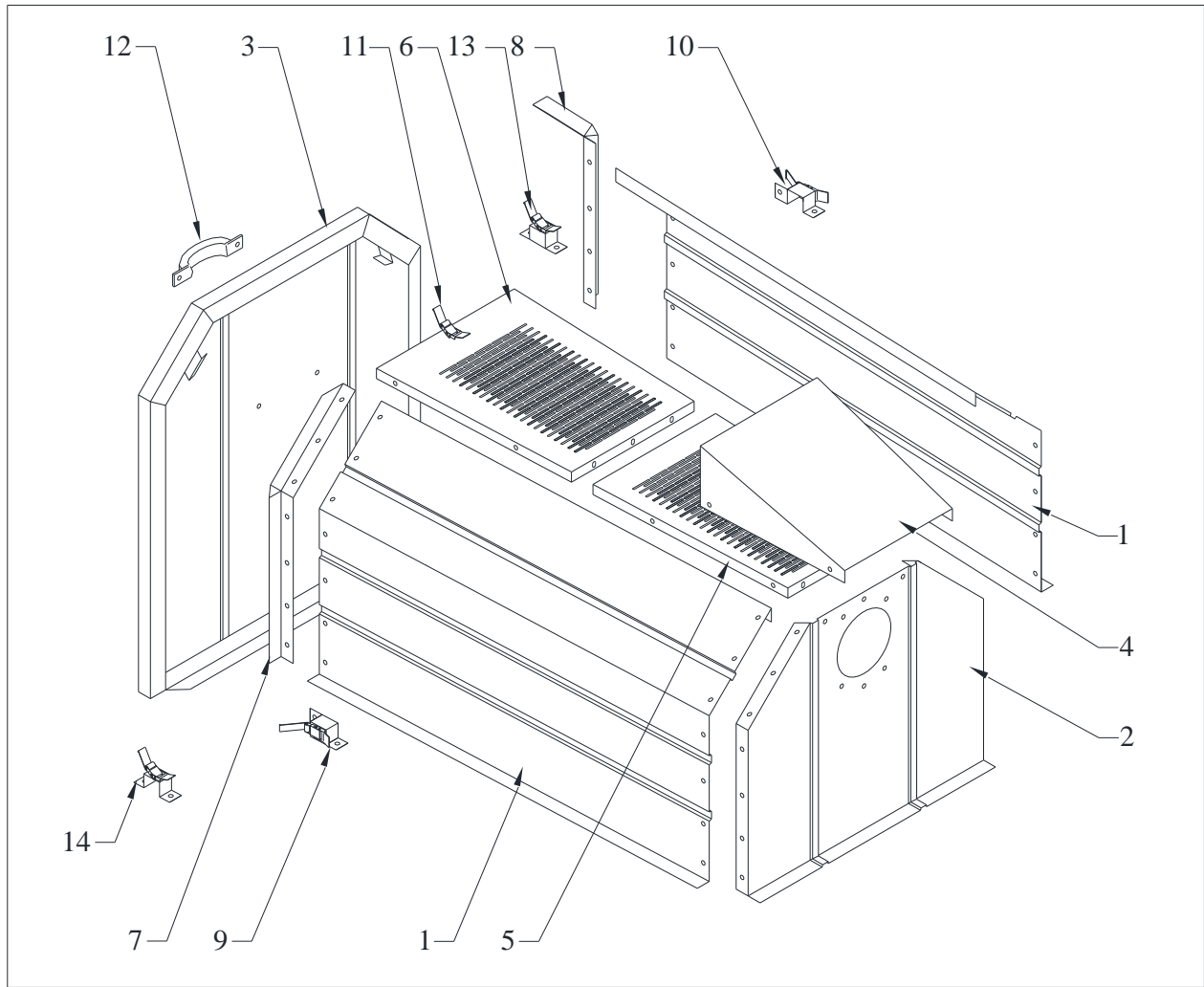


Gently move cover to the rear to insure contact between the tailgate and cover, (along entire contacting surface). Center front on cart. Mark hole locations, and drill 9/32" holes. Attach cover with 1/4 x 1/2 bolts.



Place latch on each side of cart with tongue of latch to rear. Attach to side panel and cart with 1/4 x 1/2 bolts. Tighten all hardware.

# Model 348/368L Cart Covers



## Model 280/348L Cart Cover

## Model 280/368L Cart Cover

Key	Part No.	Description
1	28047	Side Panel
2	28030	Front Panel
3	28236	Tailgate
4	28232	Deflector
5	28242	Front Screen
6	28243	Rear Screen
7	28100	Rear Angle RH
8	28101	Rear Angle LH
9	28102	Latch Ass'y RH
10	28103	Latch Ass'y LH
11	28105	Top Latch
12	28104	Handle

Key	Part No.	Description
1	28059	Side Panel
2	28035	Front Panel
3	28238	Tailgate
4	28235	Deflector
5	28240	Front Screen
6	28241	Rear Screen
7	28100	Rear Angle RH
8	28101	Rear Angle LH
9	28102	Latch Ass'y RH
10	28103	Latch Ass'y LH
11	28105	Top Latch
12	28104	Handle
13	28156	Latch Ass'y LH
14	28157	Latch Ass'y RH

# MAINTENANCE



**DANGER:** The Trac-Vac 858 was built to be operated according to the rules for safe operation as outlined in this manual. Carelessness or error on the part of the operator can result in serious injury. This unit is capable of amputating fingers or hands and throwing objects. Failure to comply with the safety instructions could result in serious injury or death.



CAUTION!!!!  
SPINNING BLADE

MAINTENANCE SCHEDULE	Before each use	After each use	Every season	Before Storage	Service Dates													
Check engine oil level	X																	
Check tire pressure	X																	
Check all hardware for tightness	X																	
Check cover for wear	X																	
Lubricate			X															
Clean		X		X														
Maintain engine per engine manual																		

## BEFORE EACH USE

### CHECK FOR LOOSE HARDWARE

- Make a thorough visual check of the unit for any bolts and nuts which may have become loose. Retighten any loose nuts and bolts

### CHECK TIRE PRESSURE

- Check tire pressure regularly. The recommended tire pressure is printed on the tire.

### CHECK ENGINE OIL LEVEL

- Check oil level before each use. Maintain engine oil as instructed in engine manual.

### LUBRICATION

- Use a light machine oil to lubricate the axle where the hitch tongue pivots and the latch and pivot bolt at the beginning of each season.
- Grease or oil wheel bearings, using automotive wheel bearing grease at least once every season.



**WARNING:** Always stop engine and disconnect spark plug wire before lubricating, cleaning or before maintenance or repairs.

## ENGINE MAINTENANCE

- Check oil level before each use, maintain engine oil according to the engine manual
- Service air cleaner after every 25 hours of normal conditions. Under extremely dusty conditions, clean every few hours. Poor engine performance usually indicates that the air cleaner needs to be serviced.
- Clean spark plug and reset gap once every season. It is recommended that the spark plug be replaced at the start of each season. Check the engine manual for the correct spark plug and gap specifications.

## CLEANING

- Clean the cart & top after each use. Grass clippings and leaves can mildew and cause damage if not properly cleaned.
- Clean the engine regularly with a cloth or brush. Remove all dirt and debris from muffler area.



# Operation

The Model 858 Trac-Vac is designed to operate at a 540 RPM PTO speed. Poor performance will result if ran much below recommended speed.



1. Inspect area to be vacuumed and pick up all harmful objects and litter. Rocks and other harmful debris can do serious damage to vacuum assembly and cause bodily injury.
2. For best vacuuming results operate tractor at manufacturers' recommended speed for best cutting. If grass is high, reduce ground speed to prevent overloading mower and vacuum. If grass is wet, wait until dry for best results.
3. When mowing, keep discharge chute to the outside of the cutting area for better cut of grass and efficient pickup of grass clippings and leaves.
4. Do not overload cart. When it is filled shut off vacuum, disconnect hose at snap disconnect, remove tailgate and dump.
5. When operating tractor on slope or grade, exercise much caution. Do not cut across grade or slope. Mow directly up or down hill.
6. Periodically tighten all bolts.
7. Listen for unusual vibration of air turbine. If excessive vibration is present, **STOP** vacuum and check for damaged blade.
8. Always shut off tractor engine before servicing vacuum.
9. Replace deflector shield when discharge chute is removed.
10. When removing clogs, **SHUT OFF ALL** engines.



CAUTION!!!!  
SPINNING BLADE

## Maintenance

- Your 858 Trac-Vac has been serviced at the factory for initial operation.
- Bearings should be greased and gearbox oil checked. Gearbox oil level should be to the bottom of the cross shaft bearing. Overfilling will cause oil to be forced out through the vent. Fill with 90 weight gear lube.
- Check belt tension after the first hour of operation and every ten hours thereafter.
- Adjust inboard belt first by moving jack shaft bearing to the rear, then adjust outboard belt by moving gearbox forward.

## TRAC VAC WARRANTY POLICY

Midwest Equipment Mfg. will repair or replace, free of charge, any part, or parts that are defective in material or workmanship or both for a period of one year residential use, and 90 day's for commercial and rental use. The purchaser will pay transportation charges on parts submitted for replacement under warranty. For warranty service, contact your local dealer from whom the unit was purchased. There are no other express or implied warranties. Some states do not allow limitations on how long an implied warranty lasts, and some states do not allow the exclusion or limitation of incidental or consequential damages, so the above limitation and exclusion may not apply to you. This warranty gives you specific legal rights and you may also have other rights, which vary from state to state.

MIDWEST EQUIPMENT MFG.

5225 Serum Plant Rd., Thorntown, IN 46071

Phone: 1-800-Trac-Vac

Web Page: [www.trac-vac.com](http://www.trac-vac.com) E-Mail: [sales@midmfg.com](mailto:sales@midmfg.com)