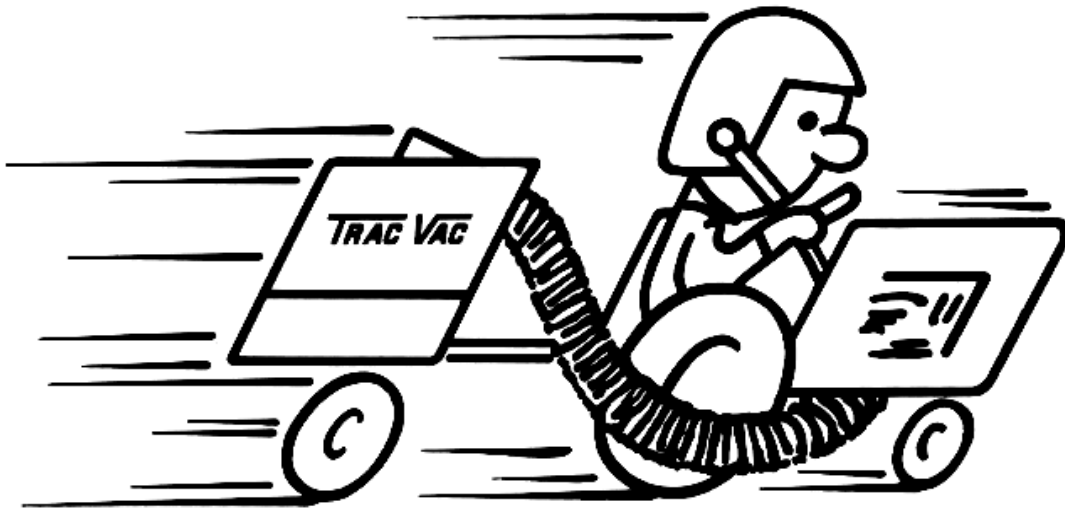


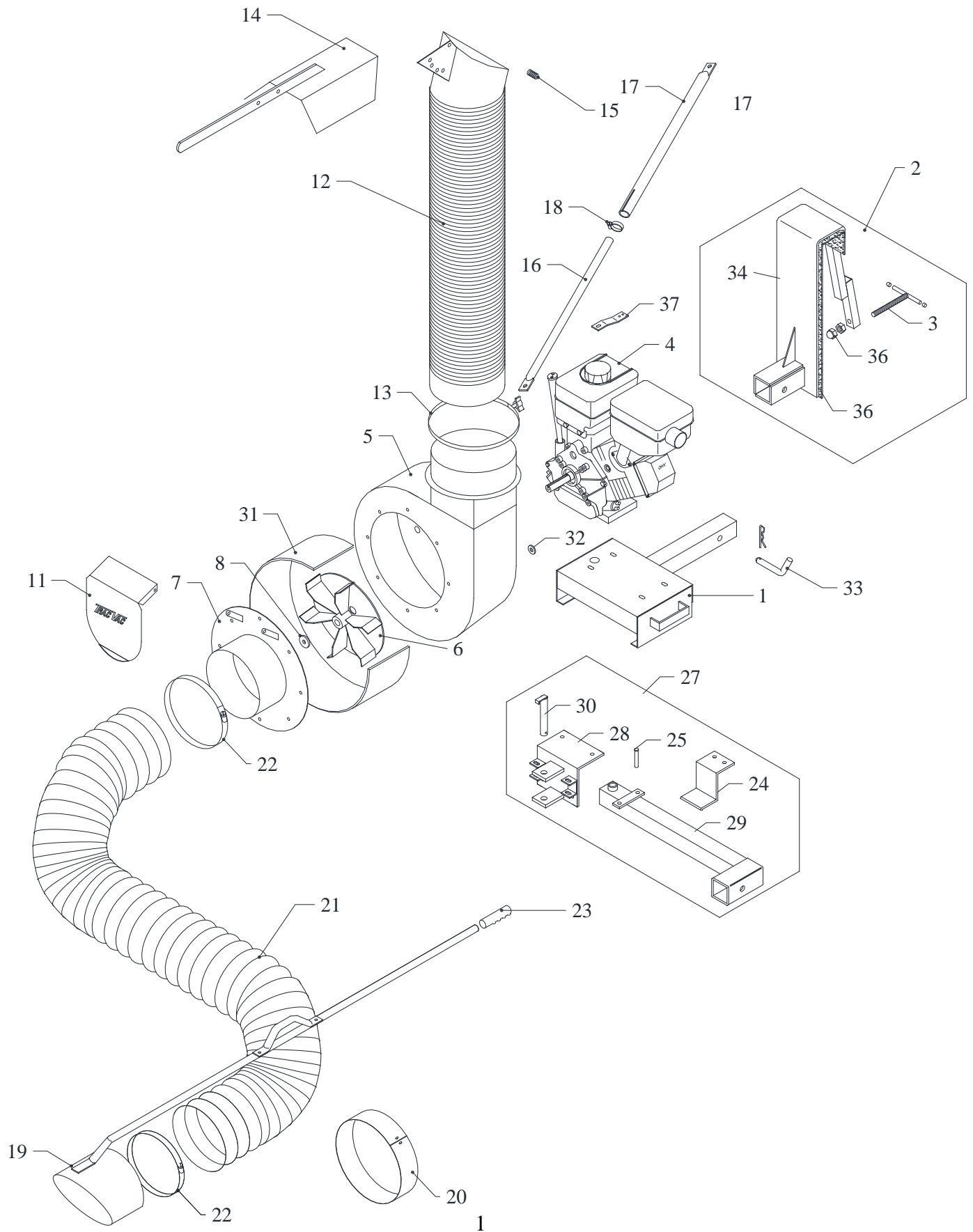
TRAC VAC

TRUCK LOADER
Models 2000-IC, 2000-R2100



Operating and Assembly Manual
Midwest Equipment Manufacturing, Inc.
5225 Serum Plant Road,
Thorntown, IN 46071

Model 2000-IC Truck Loader Parts List



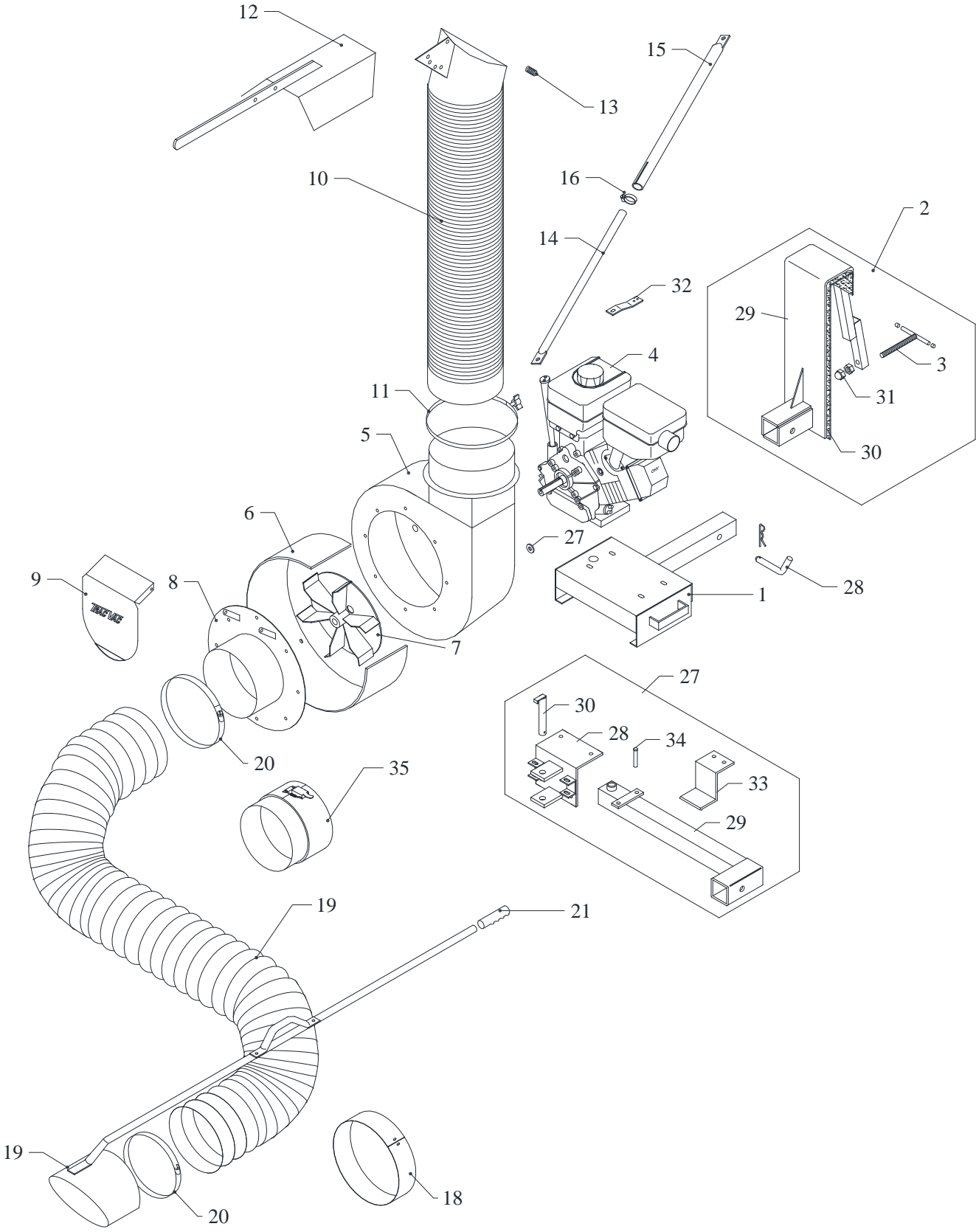
Model 2000-IC, Parts List

<u>Key</u>	<u>Part No.</u>	<u>Description</u>
1	20011	Frame, Loader
2	20012	Hitch, Tailgate Mount (optional)
3	20016	T-Handle
4	86022	Engine, 305CC Briggs Intek IC
	86028	Engine, 9HP Robin-Subaru
5	20020	Turbine Housing
6	86040	Turbine
7	20022	Inlet
8	86107	Washer, Turbine
11	20028	Intake Guard
12	20030	Exhaust Hose
13	20031	Quick Clamp
14	20035	Discharge Deflector
15	32108	Spring
16	20036	Hose Support
17	20037	Hose Support Extension
18	20039	Hose Clamp
19	20038	Intake Nozzle
20	18121	8" Hose Clamp
21	20040	Intake Hose, 8" x 12 ½'
22	18119	8" Hose Clamp
23	45107	Handle Grip
24	20032	Support Bracket
25	46218	Clevis Pin, Vert. Support
27	20013	Hitch, Step Bumper (optional)
28	20017	Bracket, Step Bumper
29	20014	Swing arm
30	45104	Axle
31	20021	Liner, 8" Turbine Housing
32	86027	Spacer, Turbine Housing
33	85226	Bent Pin, 5/8"
34	20023	Tailgate Hanger
35	200153	Tailgate Pad
36	20029	Nylon Acorn Nut
37	20052	Bracket, Turbine Support, 2000-IC

Model 2100 11 HP Truck Loader Parts List

<u>Key</u>	<u>Part</u>	<u>Description</u>
1	20011	Frame, Loader
2	20012	Hitch, Tailgate Mount (optional)
3	20016	T-Handle
4	20120	11 HP B&S Engine IC (pull start)
5	20060	Turbine Housing, 2100
6	20021	Liner
7	20050	Turbine, 2100
8	20070	Inlet, 2100
9	20028	Intake Guard
10	20030	Exhaust Hose
11	20031	Quick Clamp, 9"
12	20035	Discharge Deflector
13	32108	Spring
14	20036	Hose Support
15	20037	Hose Support Extension
16	20039	Hose Clamp
17	20038	Intake Nozzle
18	18121	8" Hose Support Ring
19	20040	Intake Hose, 8" z 12 1/2'
20	18009	8" Hose Clamp
21	45107	Handle Grip
22	20013	Hitch Step Bumper (optional)
23	20017	Bracket, Step Bumper Hitch
24	20014	Swing arm receiver
25	45104	Axle
26	18114	Muffler, B&S 394170
27	86027	Spacer, Turbine Housing
28	85226	Draw Pin
29	20023	Tailgate Hanger
30	200153	Tailgate Pad
31	20029	Nylon Acorn Nut
32	20051	Bracket, Turbine Support, 2100
33	20031	Support Bracket
34	46218	Clevis Pin, Vert. Support
35	86102	Quick Connector, 8"

Model 2100 Truck Loader Parts List



Operating Procedure

1. Follow engine manufacturer's instructions in preparing engine for operation.
2. Inspect area to be vacuumed and pick up all harmful objects.
3. Periodically tighten all hardware.
4. Listen for unusual vibration of engine or air turbine. If excessive vibration is present, **STOP** engine and check for damaged blade.
5. Always shut off vacuum before servicing.
6. When removing clogs, **SHUT OFF ENGINE.**

Midwest Equipment Manufacturing, Inc. will repair or replace, free of charge, any part or parts that are defective in material or workmanship or both for a period of one year residential use, and 90 days for commercial and rental use. The purchaser will pay transportation charges on parts submitted for replacement under warranty. For warranty service, contact your local dealer from whom the unit was purchased. There are no other express or implied warranties. Some states do not allow limitations on how long an implied warranty lasts, and some states do not allow the exclusion or limitation of incidental or consequential damages, so the above limitation and exclusion may not apply to you. This warranty gives you specific legal rights, which vary from state to state.

MIDWEST EQUIPMENT MANUFACTURING, INC.

5225 Serum Plant Rd.

Thorntown, IN 46071

Phone: 1-800-Trac-Vac

Web Page: www.trac-vac.com E-Mail: sales@midmfg.com