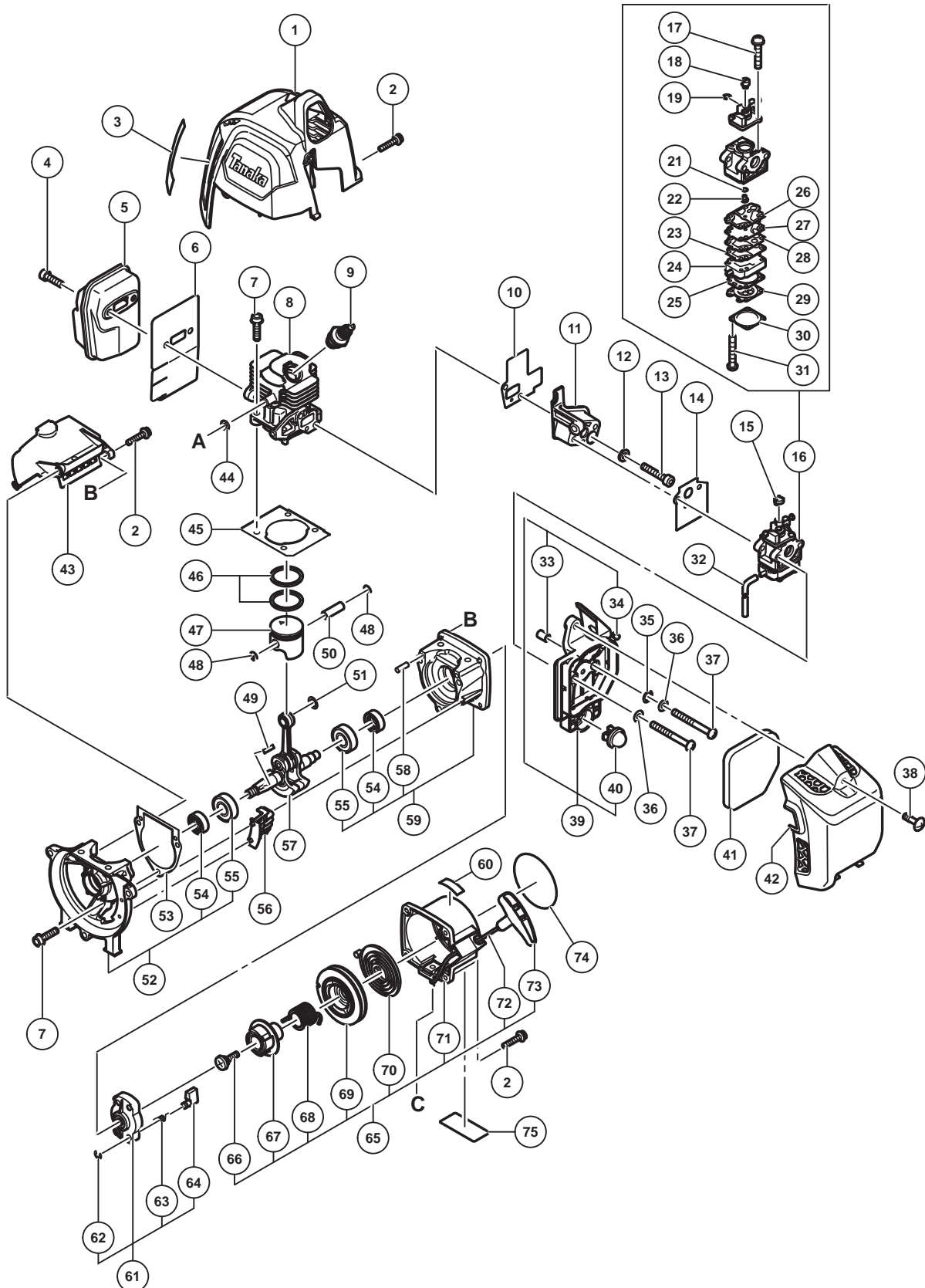
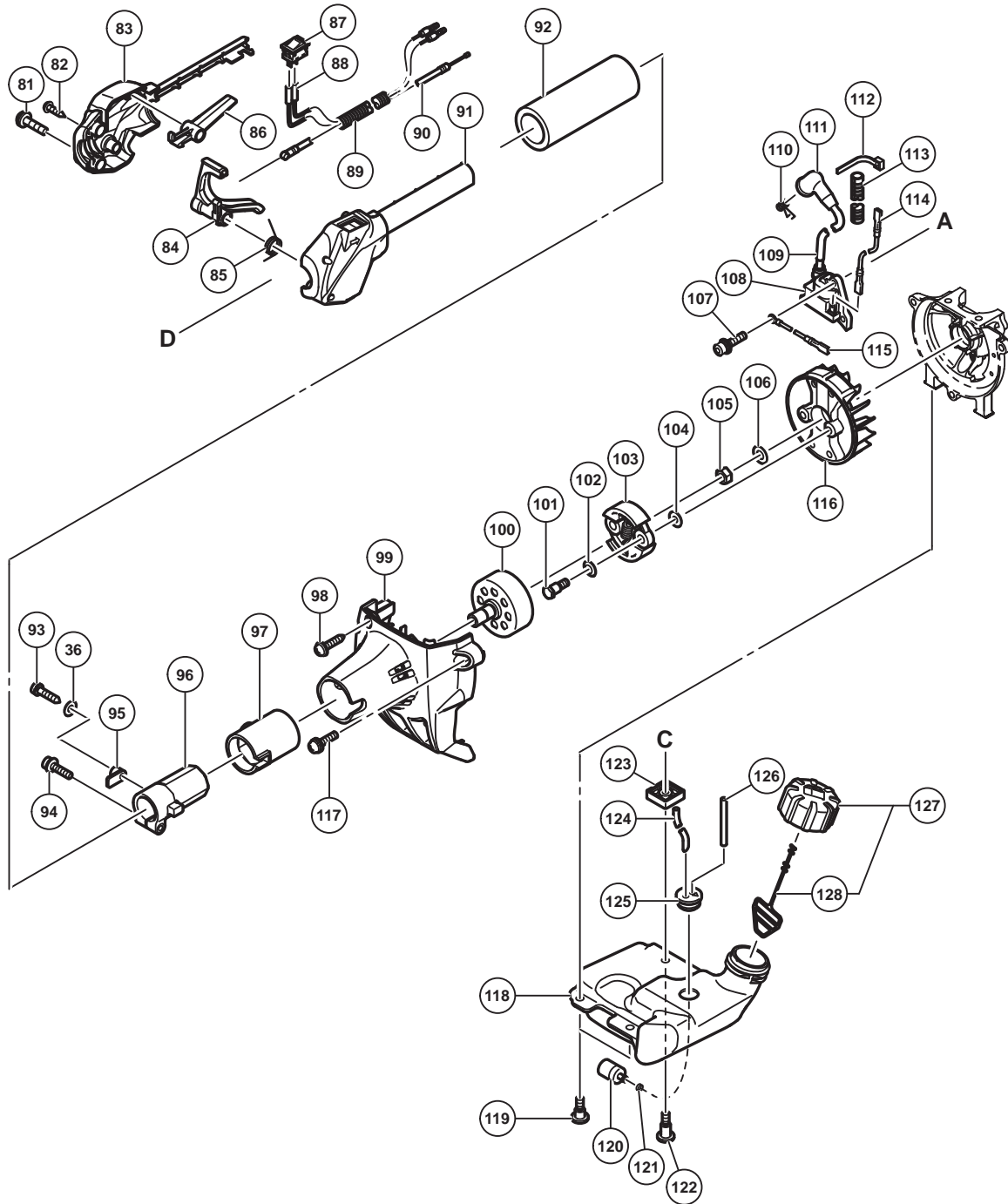
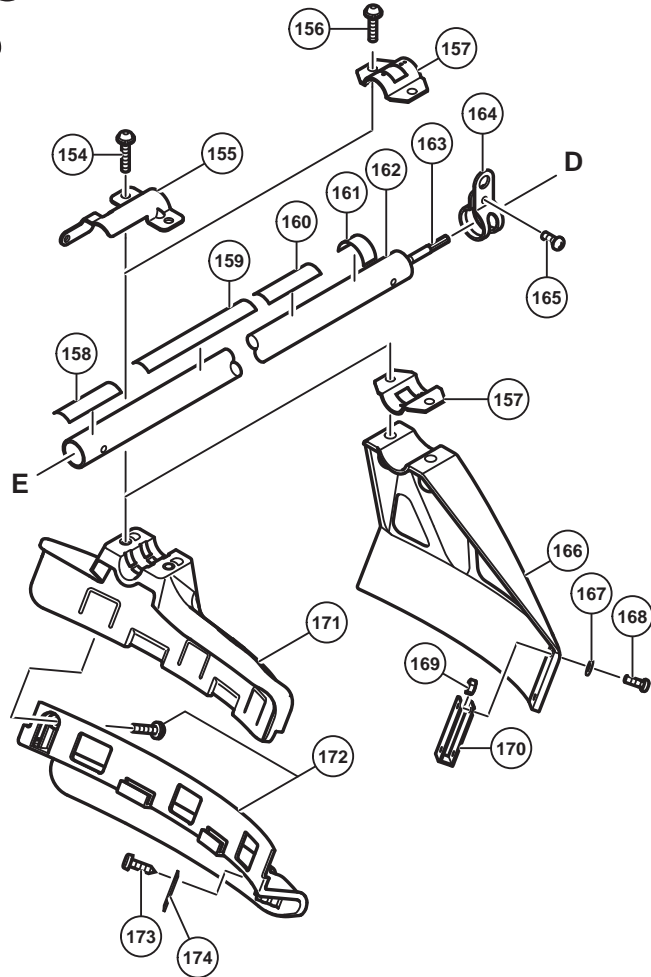
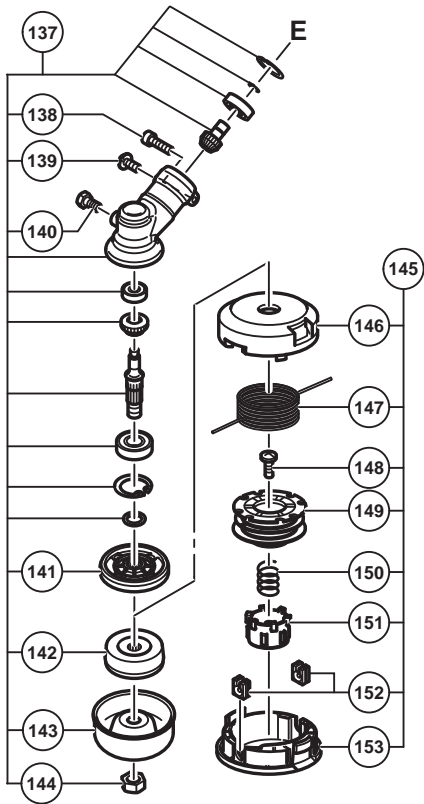
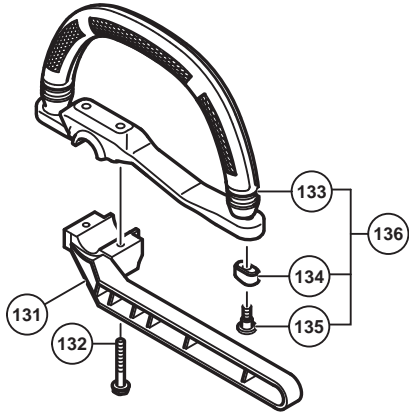
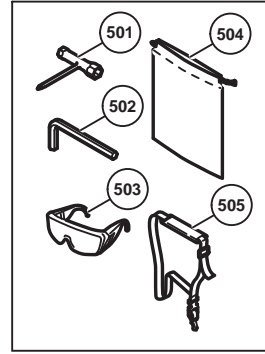


ENGINE TOOL PARTS LIST

■ GRASS TRIMMER / BRUSH CUTTER 2016-4-29
Model TCG 24ECP (TANAKA BRAND) (E1)







PARTS

TCG 24ECP

| ITEM NO. | CODE NO. | DESCRIPTION | NO. USED | REMARKS |
|----------|----------|--|----------|-----------------|
| 1 | 6600544 | CYLINDER COVER | 1 | |
| 2 | 6600918 | SEAL LOCK HEX. SOCKET HD. BOLT M4 | 5 | |
| 3 | | IDENTIFICATION LABEL | 1 | |
| 4 | 6600518 | SEAL LOCK HEX. SOCKET HD. BOLT M6 X 16 | 2 | |
| 5 | 6600908 | MUFFLER | 1 | |
| 6 | 6600517 | HEAT PROTECTION PANEL | 1 | |
| 7 | 6601339 | HEX. SOCKET HD. BOLT (W/SP.WASHER) M5 X 22 | 7 | |
| 8 | 6600902 | CYLINDER N24 | 1 | |
| 9 | 6600542 | IGNITION PLUG (TORCH L7RTC) | 1 | |
| 10 | 6600524 | INTAKE PACKING | 1 | |
| 11 | 6600525 | CARBURETOR INSULATOR | 1 | |
| 12 | 6600910 | SPRING WASHER D6 | 2 | |
| 13 | 6601358 | SEAL LOCK HEX. SOCKET HD. BOLT M6 X 27 | 2 | |
| 14 | 6698405 | CARBURETOR PACKING | 1 | |
| 15 | 6691337 | SWIVEL CAP | 1 | |
| 16 | 6600526 | CARBURETOR ASS'Y WYC-43 | 1 | INCLUD.17-31 |
| 17 | 6684698 | THROTTLE SET SCREW | 2 | |
| 18 | 6696830 | SWIVEL | 1 | |
| 19 | 6684696 | STOP RING | 1 | |
| 21 | 6684695 | O-RING | 1 | |
| 22 | | MAIN JET | 1 | |
| 23 | 6691234 | CIRCUIT PLATE | 1 | |
| 24 | 6696828 | PUMP BODY COMP. | 1 | |
| 25 | 6685220 | DIAPHRAGM PACKING-METERING | 1 | |
| 26 | 6684692 | PUMP GASKET | 1 | |
| 27 | 6684693 | PUMP DIAPHRAGM | 1 | |
| 28 | 6691242 | PUMP PLATE | 1 | |
| 29 | 6684690 | METERING DIAPHRAGM | 1 | |
| 30 | 6685222 | DIAPHRAGM COVER-METERING | 1 | |
| 31 | 6691312 | SET SCREW | 4 | |
| 32 | 6601329 | FUEL PIPE (PINK) | 1 | |
| 33 | 6601340 | COLLAR M5 | 1 | |
| 34 | 6601341 | CHOKE VALVE | 1 | |
| 35 | 334242 | WAVE WASHER 8 | 1 | |
| 36 | 6685407 | BOLT WASHER D5 | 3 | |
| 37 | 6694914 | SCREW M5 X 55 | 2 | |
| 38 | 6600532 | SPECIAL SCREW M5 | 1 | |
| 39 | 6600911 | AIR CLEANER BASE ASS'Y | 1 | INCLUD.33,34,40 |
| 40 | 6685139 | PRIMING PUMP COMP. | 1 | |
| 41 | 6600529 | AIR CLEANER ELEMENT | 1 | |
| 42 | 6600530 | AIR CLEANER COVER | 1 | |
| 43 | 6600541 | MUFFLER TANK PARTITION | 1 | |
| 44 | 6698700 | GLASS WASHER | 2 | |
| 45 | 6600510 | CYLINDER PACKING | 1 | |
| 46 | 6698404 | PISTON RING | 2 | |
| 47 | 6600904 | PISTON (M) | 1 | |
| 48 | 6684590 | CIR CLIP | 2 | |
| 49 | 6601343 | WOODRUFF KEY 3 X 13 X 4.5 | 1 | |
| 50 | 6601344 | PISTON PIN | 1 | |
| 51 | 6600909 | SHIM | 1 | |

PARTS

TCG 24ECP

| ITEM NO. | CODE NO. | DESCRIPTION | NO. USED | REMARKS |
|----------|----------|---|----------|-----------------|
| 52 | 6600907 | CRANK CASE (F) ASS'Y | 1 | INCLUD.54,55 |
| 53 | 6600514 | CRANK CASE PACKING | 1 | |
| 54 | 6684607 | OIL SEAL TB 12227 | 2 | |
| 55 | 6684608 | BALL BEARING 6001 C3 | 2 | |
| 56 | 6600924 | CRANK CASE GUARD | 1 | |
| 57 | 6600511 | CRANK SHAFT | 1 | |
| 58 | 6696947 | KNOCK PIN 4 X 12 | 2 | |
| 59 | 6600906 | CRANK CASE (R) ASS'Y | 1 | INCLUD.54,55,58 |
| 60 | 6698921 | TANK MARK LABEL (50:1) | 1 | |
| 61 | 6684681 | STARTER PULLEY ASS'Y | 1 | INCLUD.62-64 |
| 62 | 6685101 | D4E RETAINING RING | 2 | |
| 63 | 6684684 | STARTER PAWL SPRING | 2 | |
| 64 | 6684685 | STARTER PAWL | 2 | |
| 65 | 6699995 | RECOIL STARTER BODY ASS'Y | 1 | INCLUD.66-73 |
| 66 | 6684679 | SET SCREW | 1 | |
| 67 | 6699996 | CAM PLATE | 1 | |
| 68 | 6684677 | DAMPER SPRING | 1 | |
| 69 | 6699997 | STARTER ROPE REEL | 1 | |
| 70 | 6684675 | RECOIL SPRING | 1 | |
| 71 | 6684673 | RECOIL STARTER BODY COMP. | 1 | |
| 72 | 6684674 | STARTER ROPE 3.5 X 860 | 1 | |
| 73 | 6684680 | STARTER HANDLE | 1 | |
| 74 | | NAME PLATE | 1 | |
| 75 | | CAUTION LABEL | 1 | |
| 81 | 995096 | MACHINE SCREW (W/WASHERS) M5 X 20 (BLACK) | 2 | |
| 82 | 305812 | TAPPING SCREW (W/FLANGE) D4 X 16 (BLACK) | 2 | |
| 83 | 6600566 | HANDLE (B) | 1 | |
| 84 | 6600568 | THROTTLE LEVER | 1 | |
| 85 | 6696489 | SPRING (A) | 1 | |
| 86 | 6600567 | TRIGGER LOCKOUT | 1 | |
| 87 | 6601275 | STOP SWITCH | 1 | |
| 88 | 6696491 | STOP SWITCH CORD | 2 | |
| 89 | 6696967 | PROTECTION TUBE | 1 | |
| 90 | 6600569 | THROTTLE WIRE COMP | 1 | |
| 91 | 6600565 | HANDLE (A) | 1 | |
| 92 | 6600538 | GRIP (LOOP) | 1 | |
| 93 | 6600919 | HEX. SOCKET HD. BOLT (W/SP.WASHER) M5 | 1 | |
| 94 | 6600372 | HEX. SOCKET HD. BOLT (W/WASHERS) M5 | 1 | |
| 95 | 6689664 | METAL FITTING | 1 | |
| 96 | 6600551 | PIPE HOLDER | 1 | |
| 97 | 6600552 | DAMPER (HOLDER) | 1 | |
| 98 | 6698878 | TAPPING SCREW D4.5 X 16 | 1 | |
| 99 | 6600548 | FAN CASE | 1 | |
| 100 | 6600549 | CLUTCH SHAFT | 1 | |
| 101 | 6696469 | STEP BOLT | 2 | |
| 102 | 6684648 | BENT WASHER 8 | 2 | |
| 103 | 6696948 | CLUTCH | 1 | |
| 104 | 6696547 | CLUTCH WASHER (B) | 2 | |
| 105 | 6685337 | FLYWHEEL NUT | 1 | |
| 106 | 323212 | BOLT WASHER M8 (BLACK) | 1 | |

PARTS

TCG 24ECP

| ITEM NO. | CODE NO. | DESCRIPTION | NO. USED | REMARKS |
|----------|----------|--|----------|----------------------------|
| 107 | 6698388 | HEX. SOCKET HD. BOLT (W/WASHERS) M4 X 18 | 2 | |
| 108 | 6600515 | IGNITION COIL | 1 | |
| 109 | 6600051 | CORD INSULATION TUBE L100 | 1 | |
| 110 | 6699186 | PLUG CAP METAL | 1 | |
| 111 | 6699932 | PLUG CAP | 1 | |
| * 112 | 6698943 | BAND | 1 | FOR IRL |
| * 113 | 6601345 | PROTECTION TUBE L50 | 1 | FOR IRL |
| * 114 | 6698495 | CORD | 1 | |
| * 114 | 6696544 | CORD | 1 | FOR USA,CAN |
| 115 | 6696545 | EARTH CORD | 1 | |
| 116 | 6699289 | MAGNETO ROTOR | 1 | |
| 117 | 6600920 | MACHINE SCREW (W/WASHERS) M5 X 18 | 3 | |
| * 118 | 6600519 | TANK | 1 | |
| * 118 | 6600520 | TANK | 1 | FOR USA,CAN |
| 119 | 6696574 | BOLT (W/FLANGE) L17.8 | 2 | |
| 120 | 6600351 | PUMP FILTER | 1 | |
| 121 | 6696949 | CLIP | 1 | |
| 122 | 6698512 | BOLT (W/FLANGE) L23.8 | 1 | |
| 123 | 6699558 | SPACER | 1 | |
| 124 | 6696476 | FUEL PIPE (PINK) | 1 | |
| 125 | 6600358 | FUEL GROMMET | 1 | |
| * 126 | 6600521 | FUEL PIPE L140 | 1 | |
| * 126 | 6600522 | FUEL PIPE L140 | 1 | FOR USA,CAN |
| 127 | 6698402 | FUEL TANK CAP ASS'Y | 1 | INCLUD.128 |
| 128 | 6698732 | TANK CAP CHAIN | 1 | |
| 131 | 6696973 | BARRIER | 1 | |
| 132 | 6696974 | BOLT (BLACK) M6 | 2 | |
| 133 | 6601348 | LOOP HANDLE | 1 | |
| 134 | 6601349 | CUSHION RUBBER | 1 | |
| 135 | 6698512 | BOLT (W/FLANGE) L23.8 | 1 | |
| 136 | 6600922 | LOOP HANDLE ASS'Y | 1 | INCLUD.133-135 |
| * 137 | 6600553 | GEAR CASE ASS'Y 3BB (D) | 1 | INCLUD.138-144 |
| * 137 | 6600555 | GEAR CASE ASS'Y 3BB (D) | 1 | INCLUD.138-141 FOR USA,CAN |
| 138 | 949662 | HEX. SOCKET HD. BOLT M5 X 25 (10 PCS.) | 1 | |
| 139 | 6695414 | SCREW 5 X 12/W.S | 1 | |
| 140 | 6684737 | BOLT (W/PLUS) M6 X 8 | 1 | |
| 141 | 6601354 | CUTTER HOLDER (A) | 1 | |
| * 142 | 6601355 | CUTTER HOLDER (B) | 1 | FOR IRL |
| * 143 | 6699188 | NUT COVER | 1 | FOR IRL |
| * 144 | 335759 | U-NUT (LEFT HAND) M10 | 1 | FOR IRL |
| 145 | 6696454 | NYLON HEAD ASS'Y | 1 | INCLUD.146-153 |
| 146 | 6698794 | COVER | 1 | |
| 147 | | NYLON CORD | 1 | |
| 148 | 6698795 | SET SCREW | 1 | |
| 149 | 6698796 | REEL | 1 | |
| 150 | 6698797 | RETURN SPRING | 1 | |
| 151 | 6698798 | BUTTON | 1 | |
| 152 | 6698799 | CORD GUIDE | 2 | |
| 153 | 6698800 | CASE | 1 | |
| * 154 | 6684714 | HEX. HOLE BUTTON SCREW M6 X 25S | 2 | FOR IRL |

PARTS

TCG 24ECP

| ITEM NO. | CODE NO. | DESCRIPTION | NO. USED | REMARKS | |
|----------|----------|--------------------------------------|------------------|-------------|--|
| * 155 | 6699443 | COVER BRACKET | 1 | FOR IRL | |
| * 156 | 6600509 | BOLT (W/SP.WASHER) M6 | 2 | FOR USA,CAN | |
| * 157 | 6696978 | COVER BRACKET | 2 | FOR USA,CAN | |
| * 158 | 6685061 | LEVEL MARK | 1 | FOR USA,CAN | |
| * 158 | | LOGO LABEL TBC-2390 | 1 | FOR IRL | |
| * 159 | 6600449 | CAUTION MARK | 1 | | |
| * 159 | 6600448 | CAUTION MARK (USA) | 1 | FOR USA,CAN | |
| | 160 | 6600446 | LEVEL MARK (B) | 1 | |
| * 161 | 6684851 | LEVEL MARK | 1 | FOR IRL | |
| | 162 | 6600556 | MAIN PIPE (T1.1) | 1 | |
| | 163 | 6600558 | DRIVE SHAFT | 1 | |
| * 164 | 6600504 | HANGER | 1 | FOR IRL | |
| * 165 | 949236 | MACHINE SCREW M5 X 10 (10 PCS.) | 1 | FOR IRL | |
| * 166 | 6696981 | GUARD | 1 | FOR USA,CAN | |
| * 167 | 323210 | BOLT WASHER M4 (BLACK) | 2 | FOR USA,CAN | |
| * 168 | 6685068 | MACHINE SCREW (W/SP. WASHER) M4 X 12 | 2 | FOR USA,CAN | |
| * 169 | 949554 | NUT M4 (10 PCS.) | 2 | FOR USA,CAN | |
| * 170 | 6696584 | KNIFE | 1 | FOR USA,CAN | |
| * 171 | 6600528 | GUARD ASS'Y (EU) | 1 | FOR IRL | |
| * 172 | 6601356 | COVER GUARD (EU) ASS'Y | 1 | FOR IRL | |
| * 173 | 6684751 | TAPPING SCREW 4 X 14 | 1 | FOR IRL | |
| * 174 | 6684750 | KNIFE | 1 | FOR IRL | |
| | | | | | |
| | | | | | |
| | | | | | |
| | | | | | |
| | | | | | |
| | | | | | |
| | | | | | |
| | | | | | |
| | | | | | |

STANDARD ACCESSORIES

| ITEM NO. | CODE NO. | DESCRIPTION | NO. USED | REMARKS | |
|----------|----------|--------------------------------|----------|---------|--|
| 501 | 6684764 | BOX WRENCH (HEX. SOCKET 17/19) | 1 | | |
| 502 | 944458 | HEX. BAR WRENCH 4MM | 1 | | |
| 503 | 875769 | SAFETY GLASSES | 1 | | |
| 504 | 66A2943 | TOOL BAG 410 X 330 | 1 | | |
| * 505 | 6696448 | SHOULDER BELT SINGLE | 1 | FOR IRL | |
| | | | | | |
| | | | | | |
| | | | | | |
| | | | | | |
| | | | | | |
| | | | | | |
| | | | | | |
| | | | | | |