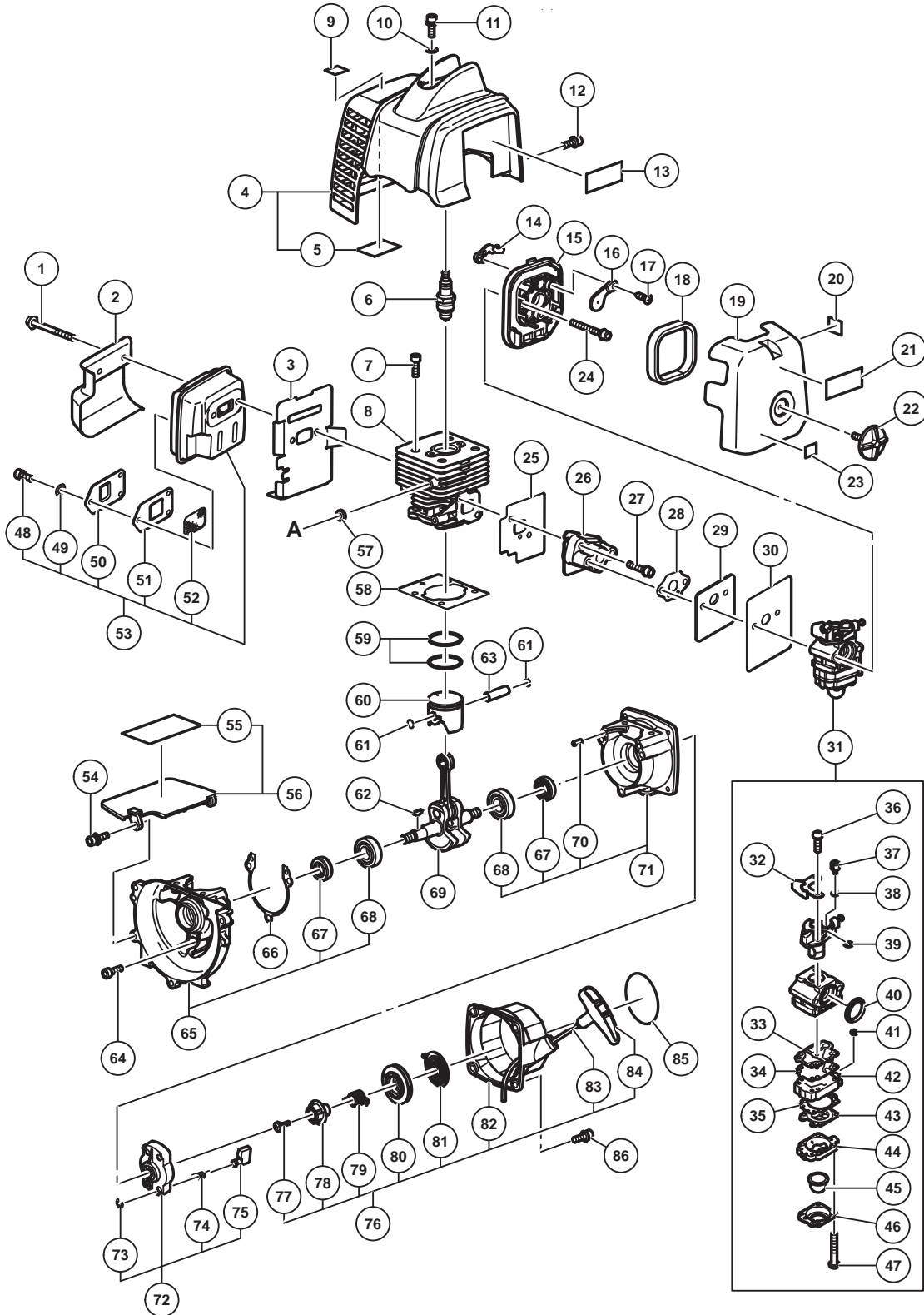
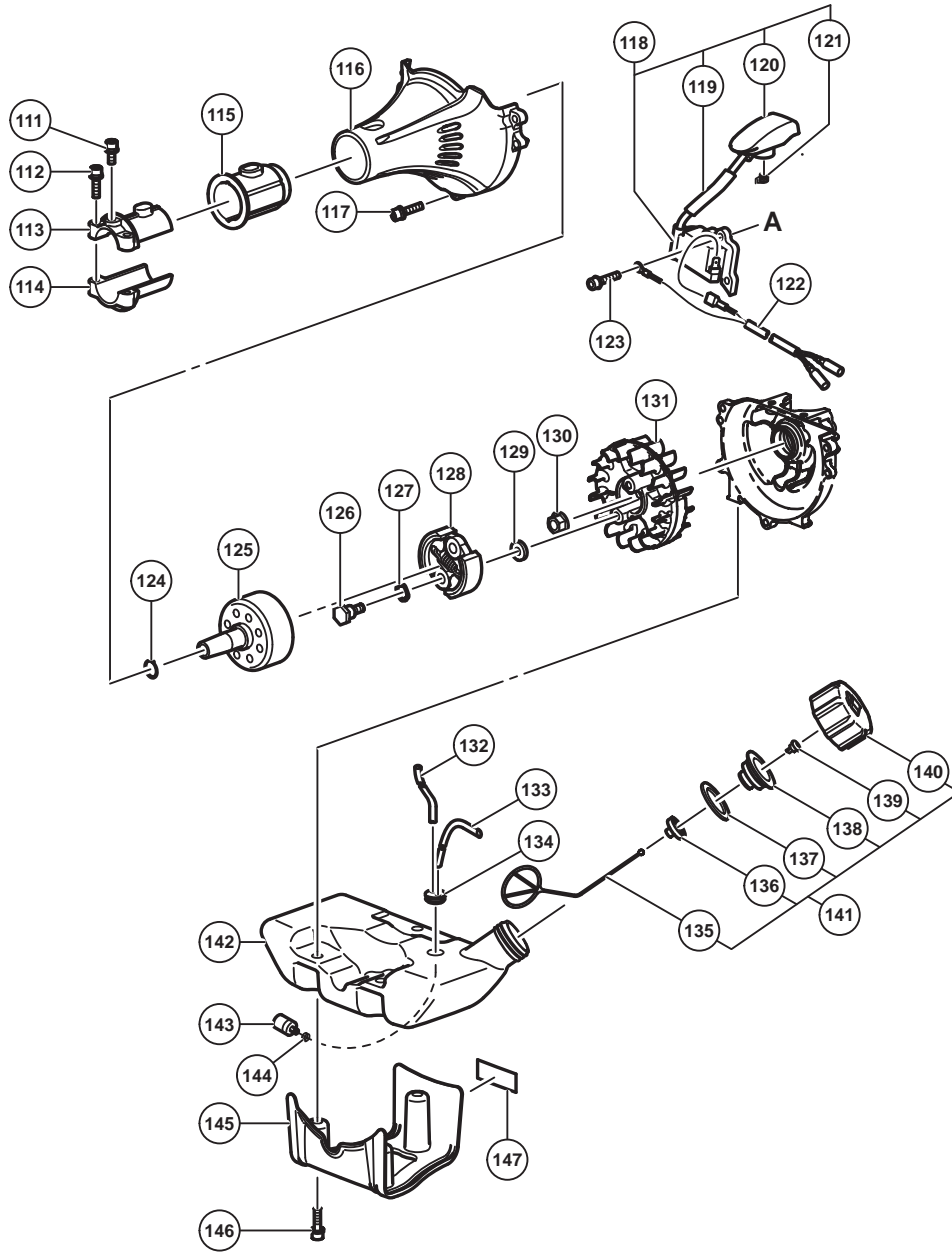
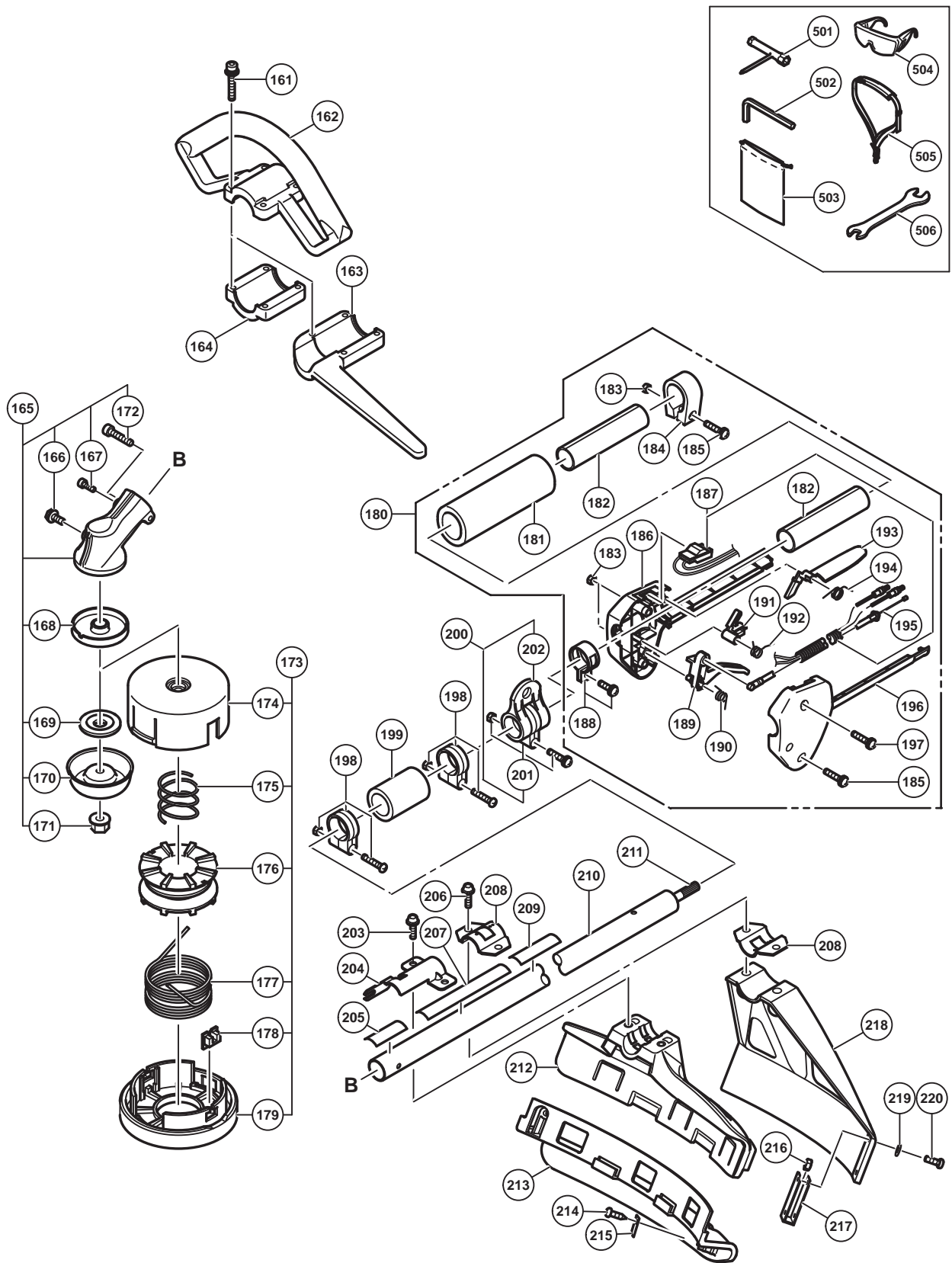


ENGINE TOOL PARTS LIST

GRASS TRIMMER / BRUSH CUTTER 2016-4-29
Model TCG 23ECP (TANAKA BRAND) (E1)







PARTS

TCG 23ECP

| ITEM NO. | CODE NO. | DESCRIPTION | NO. USED | REMARKS | |
|----------|----------|--|--|----------|--------------|
| 1 | 6600706 | HEX.SOCKET BOLT M5 X 55 | 2 | | |
| 2 | 6600707 | HEAT SHIELD | 1 | | |
| 3 | 6600710 | MUFFLER PACKING | 1 | | |
| 4 | 6601290 | TOP COVER ASS'Y | 1 | INCLUD.5 | |
| 5 | 6600714 | ALUMINUM TAPE | 1 | | |
| 6 | 6600713 | IGNITION PLUG (AC6AR) | 1 | | |
| 7 | 6600712 | HEX. SOCKET HD. BOLT M5 X 16 | 4 | | |
| 8 | 6600711 | CYLINDER | 1 | | |
| 9 | 6698864 | CAUTION LABEL (HOT) | 1 | | |
| 10 | 6600715 | SPACER | 1 | | |
| 11 | 6600716 | HEX. SOCKET HD. BOLT (W/WASHERS) M5 X 18 | 1 | | |
| 12 | 6600720 | HEX. SOCKET HD. BOLT (W/WASHERS) M5 X 16 | 2 | | |
| 13 | | CAUTION MARK | 1 | | |
| 14 | 6600721 | CHOKE LEVER | 1 | | |
| 15 | 6600722 | CLEANER BASE | 1 | | |
| 16 | 6600723 | CHOKE PLATE | 1 | | |
| 17 | 6600724 | TAPPING SCREW ST 4.2 X 9.5 | 1 | | |
| 18 | 6600725 | AIR FILTER ELEMENT | 1 | | |
| 19 | 6600726 | CLEANER COVER | 1 | | |
| 20 | 6699000 | PRIMER LABEL | 1 | | |
| * | 21 | 6601297 | START LABEL | 1 | FOR USA,CAN |
| | 22 | 6600727 | CLEANER KNOB | 1 | |
| * | 23 | 6600327 | MARK PLATE (T) | 1 | FOR EUROPE |
| | 24 | 6600728 | HEX. SOCKET HD. BOLT (W/WASHERS) M5 X 60 | 2 | |
| | 25 | 6600729 | INTAKE PACKING | 1 | |
| | 26 | 6600730 | CARBURETOR INSULATOR | 1 | |
| | 27 | 6600731 | HEX. SOCKET HD. BOLT (W/WASHERS) M5 X 25 | 2 | |
| | 28 | 6600732 | CARBURETOR PACKING (A) | 1 | |
| | 29 | 6600733 | HEAT INSULATION PLATE | 1 | |
| | 30 | 6600734 | CARBURETOR PACKING (B) | 1 | |
| | 31 | 6600735 | CARBURETOR ASS'Y (WYK-483) | 1 | INCLUD.32-47 |
| | 32 | 6601292 | CABLE ADJUST STAY | 1 | |
| | 33 | 6684692 | PUMP GASKET | 1 | |
| | 34 | 6684693 | PUMP DIAPHRAGM | 1 | |
| | 35 | 6684691 | DIAPHRAGM GASKET | 1 | |
| | 36 | 6684870 | THROTTLE SET SCREW | 2 | |
| | 37 | 6601293 | SWIVEL | 1 | |
| | 38 | 6684874 | THRUST WASHER | 1 | |
| | 39 | 6684696 | STOP RING | 1 | |
| | 40 | 6684875 | CLEANER PACKING | 1 | |
| | 41 | 6684700 | INLET SCREEN | 1 | |
| | 42 | 6601294 | PUMP BODY | 1 | |
| | 43 | 6684690 | METERING DIAPHRAGM | 1 | |
| | 44 | 6684687 | PRIMING PUMP COMP. | 1 | |
| | 45 | 6684689 | PRIMING BODY | 1 | |
| | 46 | 6684688 | DIAPHRAGM COVER | 1 | |
| | 47 | 6684699 | SET SCREW | 4 | |
| | 48 | 6600755 | HEX. SOCKET HD. BOLT M4 X 10 | 3 | |
| | 49 | 6600756 | BOLT WASHER D4 | 3 | |
| | 50 | 6600757 | EXHAUST PIPE | 1 | |

PARTS

TCG 23ECP

| ITEM NO. | CODE NO. | DESCRIPTION | NO. USED | REMARKS |
|----------|----------|--|----------|-----------------|
| 51 | 6600758 | EXHAUST PACKING | 1 | |
| 52 | 6600759 | SPARK ARRESTER | 1 | |
| 53 | 6600708 | MUFFLER ASS'Y | 1 | INCLUD.48-52 |
| 54 | 6600742 | HEX. SOCKET HD. BOLT (W/WASHERS) M5 X 14 | 2 | |
| 55 | 6600744 | ALUMINUM TAPE | 1 | |
| 56 | 6601291 | INSULATION PLATE ASS'Y | 1 | INCLUD.55 |
| 57 | 6600660 | IGNITION COIL SPACER | 2 | |
| 58 | 6600738 | CYLINDER PACKING | 1 | |
| 59 | 6600739 | PISTON RING | 2 | |
| 60 | 6600740 | PISTON | 1 | |
| 61 | 6600736 | CIRCLIP | 2 | |
| 62 | 6600741 | WOODRUFF KEY | 1 | |
| 63 | 6600737 | PISTON PIN | 1 | |
| 64 | 6600712 | HEX. SOCKET HD. BOLT M5 X 16 | 3 | |
| 65 | 6600745 | CRANK CASE (A) ASS'Y | 1 | INCLUD.67,68 |
| 66 | 6600746 | CRANK CASE PACKING | 1 | |
| 67 | 6600747 | OIL SEAL | 2 | |
| 68 | 6600594 | BALL BEARING | 2 | |
| 69 | 6600748 | CRANK SHAFT | 1 | |
| 70 | 6600749 | KNOCK PIN | 2 | |
| 71 | 6600750 | CRANK CASE (B) ASS'Y | 1 | INCLUD.67,68,70 |
| 72 | 6600752 | PULLEY ASS'Y | 1 | INCLUD.73-75 |
| 73 | 6601321 | RETAINING RING | 2 | |
| 74 | 6601322 | STARTER PAWL SPRING | 2 | |
| 75 | 6601323 | STARTER PAWL | 2 | |
| 76 | 6600753 | RECOIL STARTER ASS'Y (S) | 1 | INCLUD.77-84 |
| 77 | 6601307 | SET SCREW | 1 | |
| 78 | 6601309 | CAM (S) | 1 | |
| 79 | 6601311 | DAMPER SPRING (S) | 1 | |
| 80 | 6601313 | REEL (S) | 1 | |
| 81 | 6601315 | SPIRAL SPRING (S) | 1 | |
| 82 | 6601317 | STARTER CASE (S) | 1 | |
| 83 | 6601319 | STATER ROPE (S) | 1 | |
| 84 | 6601320 | STARTER HANDLE | 1 | |
| 85 | | NAME PLATE | 1 | |
| 86 | 6600720 | HEX. SOCKET HD. BOLT (W/WASHERS) M5 X 16 | 2 | |
| 111 | 6600760 | HEX. SOCKET HD. BOLT (W/WASHERS) M5 X 12 | 1 | |
| 112 | 6600731 | HEX. SOCKET HD. BOLT (W/WASHERS) M5 X 25 | 2 | |
| 113 | 6600761 | HOLDER (A) | 1 | |
| 114 | 6600762 | HOLDER (B) | 1 | |
| 115 | 6600763 | ANTI VIBRATION RUBBER | 1 | |
| 116 | 6600764 | FAN CASE | 1 | |
| 117 | 6600716 | HEX. SOCKET HD. BOLT (W/WASHERS) M5 X 18 | 3 | |
| 118 | 6600765 | IGNITION COIL ASS'Y | 1 | INCLUD.119-121 |
| 119 | 6600766 | CORD INSULATION TUBE | 1 | |
| 120 | 6600767 | PLUG CAP | 1 | |
| 121 | 6600768 | PLUG CAP METAL | 1 | |
| 122 | 6601296 | CORD | 1 | |
| 123 | 6600775 | HEX. SOCKET HD. BOLT (W/WASHERS) M4 X 20 | 2 | |
| 124 | 6600770 | RETAINING RING | 1 | |

PARTS

TCG 23ECP

| ITEM NO. | CODE NO. | DESCRIPTION | NO. USED | REMARKS |
|----------|----------|--|-----------------------|----------------------------------|
| 125 | 6600771 | CLUTCH SHAFT (S) | 1 | |
| 126 | 6600661 | STEP BOLT | 2 | |
| 127 | 6600662 | BENT WASHER 8 | 2 | |
| 128 | 6600773 | CLUTCH | 1 | |
| 129 | 6600664 | CLUTCH WASHER (B) | 2 | |
| 130 | 6600658 | FLY WHEEL NUT | 1 | |
| 131 | 6600774 | MAGNETO ROTOR | 1 | |
| * | 132 | 6600783 | FUEL PIPE | 1 |
| * | 132 | 6600784 | FUEL PIPE | 1 FOR USA,CAN |
| * | 133 | 6600785 | RETURN PIPE | 1 |
| * | 133 | 6600786 | RETURN PIPE | 1 FOR USA,CAN |
| * | 134 | 6600787 | FUEL GROMMET | 1 |
| * | 134 | 6600671 | FUEL GROMMET | 1 FOR USA,CAN |
| 135 | 6600782 | TANK CAP RETAINER | 1 | |
| 136 | 6600781 | TANK CAP RETAINER HOLDER | 1 | |
| 137 | 6600780 | TANK CAP PACKING | 1 | |
| 138 | 6600779 | VALVE HOLDER | 1 | |
| 139 | 6600778 | VALVE | 1 | |
| 140 | 6600777 | TANK CAP | 1 | |
| 141 | 6600776 | TANK CAP ASS'Y | 1 | INCLUD.135-140 |
| * | 142 | 6600788 | FUEL TANK | 1 |
| * | 142 | 6600789 | FUEL TANK | 1 FOR USA,CAN |
| 143 | 6600790 | FUEL FILTER | 1 | |
| 144 | 6601295 | CLIP | 1 | |
| 145 | 6600791 | STAND | 1 | |
| 146 | 6600716 | HEX. SOCKET HD. BOLT (W/WASHERS) M5 X 18 | 3 | |
| 147 | 6698921 | TANK MARK LABEL (50:1) | 1 | |
| 161 | 6600873 | HEX. SOCKET HD. BOLT (W/SP.WASHER) M5 X 35 | 4 | |
| 162 | 6600800 | LOOP HANDLE | 1 | |
| * | 163 | 6600802 | BARRIER | 1 FOR EUROPE |
| * | 164 | 6600801 | LOOP HANDLE BRACKET | 1 FOR USA,CAN |
| * | 165 | 6600803 | GEAR CASE ASS'Y (S) | 1 INCLUD.166-172 |
| * | 165 | 6600804 | GEAR CASE ASS'Y (S) | 1 INCLUD.166-168,172 FOR USA,CAN |
| 166 | 6600856 | BOLT (W/BOLT WASHER) M6 X 8 | 1 | |
| 167 | 6600855 | HEX. SOCKET HD. BOLT M5 X 12 | 1 | |
| 168 | 6600857 | HOLDER (A) | 1 | |
| * | 169 | 6600858 | HOLDER (B) | 1 FOR EUROPE |
| * | 170 | 6600859 | NUT COVER | 1 FOR EUROPE |
| * | 171 | 6600860 | U-NUT (LEFT HAND) M10 | 1 FOR EUROPE |
| 172 | 6600854 | HEX. SOCKET HD. BOLT (W/SP.WASHER) M5 X 30 | 1 | |
| 173 | 6600570 | NYLON HEAD | 1 | INCLUD.174-179 |
| 174 | 6600806 | NYLON HEAD COVER | 1 | |
| 175 | 6600809 | RETURN SPRING | 1 | |
| 176 | 6600808 | REEL | 1 | |
| 177 | 6600807 | NYLON CORD | 1 | |
| 178 | 6600810 | CORD GUIDE | 2 | |
| 179 | 6600811 | NYLON HEAD CAP | 1 | |
| 180 | 6600822 | THROTTLE LEVER ASS'Y | 1 | INCLUD.181-197 |
| 181 | 6600852 | GRIP | 1 | |
| 182 | 6601306 | THROTTLE COLLAR | 2 | |

