

# ***ACREASE***

---

## **57" ROUGH CUT**

*WITH ELECTRIC CLUTCH BLADE ENGAGEMENT*



---

# **OWNER'S MANUAL**

**With Assembly Instructions**

**For Models: MR55BE & MR55KE-25HP**

---

KUNZ ENGINEERING, INC. / MENDOTA, IL 61342 / PH (815) 539-6954

---



1/19





# **SAFETY INTRODUCTION**

Your safety, and the safety of others, is very important. To help you make informed decisions about safety, we have provided operating procedures and other information on labels and in this manual. This information alerts you to potential hazards that could hurt you or others.



**This safety alert symbol is used to indicate safety instructions. Follow these instructions to avoid personal injury and/or property damage. Read and follow all instructions in this manual and the included engine manual.**

You will find important safety information in a variety of forms, including:

**Safety Labels** – on the mower.

**Safety Messages** – preceded by a safety alert symbol  and one of three signal words: **DANGER**, **WARNING**, or **CAUTION**.

These signal words mean:



**DANGER:** Indicates an imminently hazardous situation that, if not avoided, will result in death or serious injury. This signal word is to be limited to the most extreme situations typically for machine components which, for functional purposes, cannot be guarded.



**WARNING:** Indicates a potentially hazardous situation that, if not avoided, could result in death or serious injury, and includes hazards that are exposed when guards are removed. It may also be used to alert against unsafe practices.



**CAUTION:** Indicates a potentially hazardous situation that, if not avoided, may result in minor or moderate injury. It may also be used to alert against unsafe practices.

**This entire manual is filled with important safety information. Please read it carefully.**

## **IMPORTANT SAFETY INFORMATION**



**WARNING:** Do not allow anyone to operate this equipment who has not fully read and comprehended the safety manual and who has not been properly trained in the safe operation of the equipment.



**WARNING:** Operator should be familiar with all functions of the unit.



**DANGER:** Keep hands, feet, hair and clothing away from moving parts.



**WARNING:** Remove all objects from the work area that might be picked up and thrown by the blades.



**WARNING:** Do not mow when children and others are around.



**WARNING:** Keep all safety shields and deflectors in place during operation.



**WARNING:** Shut off the engine and allow the mower blades to come to a complete stop before making any adjustments to the mower.



**WARNING:** Shut off engine before disconnecting the mower from the tow vehicle or attempting to move the mower by hand.



**WARNING:** Never carry children or passengers.



**WARNING:** Do not allow children to operate this machine.



**WARNING:** Follow all safety precautions outlined by the manufacturer of the tow vehicle being used to pull this product.

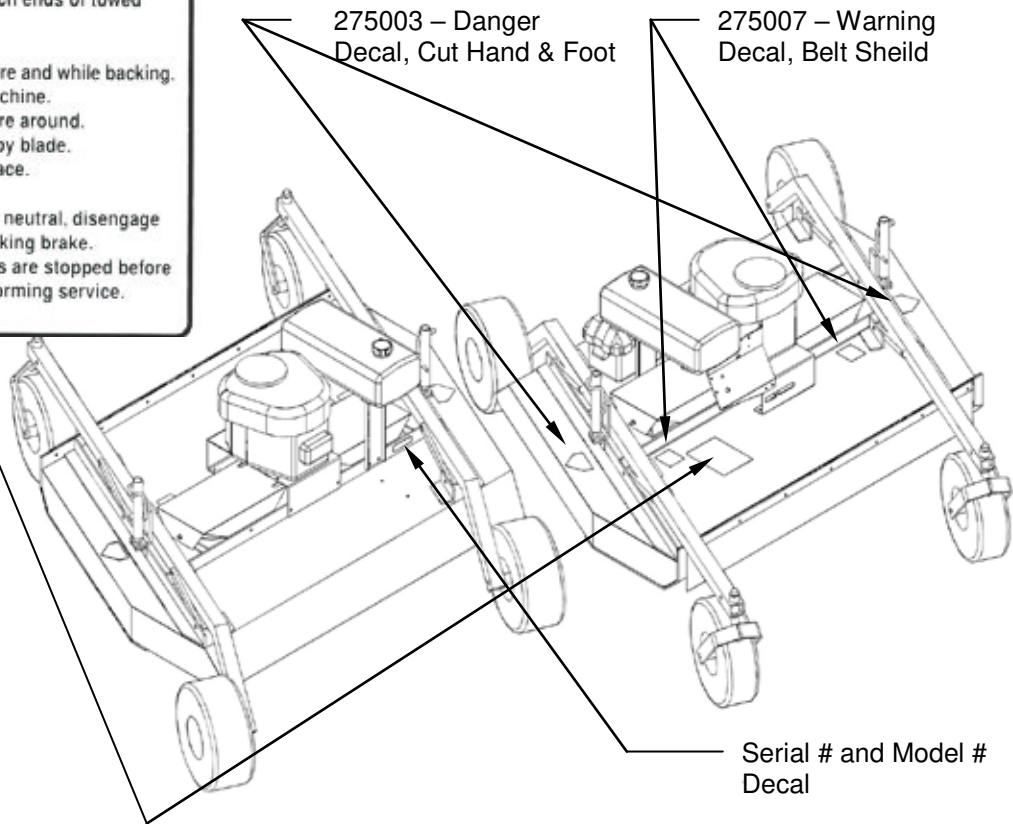
**This entire manual is filled with important safety information. Please read it carefully.**

# SAFETY SIGNS AND LOCATIONS

WARNING

AVOID INJURY OR DEATH

- Read and follow owner's manual.
- Know location and function of all controls.
- Before starting engine, remove grass build-up from under safety shields.
- Before starting engine, attach machine to tow vehicle.
- Shut off engine before disconnecting machine from tow vehicle or attempting to move machine by hand.
- Do not fill fuel tank while engine is running or hot.
- If tow vehicle stops going forward, stop engine on towed mower before trying to push or pull tow vehicle.
- When making turns, slow down and watch ends of towed mower.
- Never carry children or passengers.
- Look down, to the sides, and behind before and while backing.
- Do not allow children to operate this machine.
- Do not mow when children and others are around.
- Remove all objects that may be thrown by blade.
- Keep safety shields and deflectors in place.
- Shut off engine while in transport.
- Before dismounting tow vehicle: shift to neutral, disengage power to tow vehicle mower, and set parking brake.
- Be sure blades, engine and moving parts are stopped before placing hands or feet near blade or performing service.



275002 – Warning Decal, General

275003 – Danger Decal, Cut Hand & Foot

275007 – Warning Decal, Belt Shield

Serial # and Model # Decal



**Clean or Replace Any Safety Signs That Are not Readable or Damaged**

Replacement decals can be purchased from your local dealer or

Kunz Engineering Inc.  
Mendota, IL 61342  
(815) 539-6954

# ASSEMBLY INSTRUCTIONS

**Read the complete assembly instructions before starting the assembly.**

## **You should have:**

- one mower deck assembly
- two carrier arm assemblies
- two rear tire assemblies
- one ATV tongue assembly

## **A. ASSEMBLY OF MOWER WHEELS**

1. Set the mower deck assembly on wood blocks so that it is suspended off the ground.

**Note:** The operator controls are on the front of the deck. (Left and right are determined by looking in the direction of travel or by standing at the rear of the deck assembly looking forward.)

2. Install the rear tire assemblies on the carrier arm assemblies. Remove the hex nut and lock washer from the rear tire assembly and install the 5/8"x7-1/2" tire axle bolt through the hole in the carrier arm assembly. **See figure 1.** Secure assembly with the lock washer and hex nut provided on the rear tire assembly. The rear tires should be offset to the outside of the deck assembly on both sides. **See figure 2.**
3. Install the two carrier arm assemblies in the pivot arms, which are located on the mower deck assembly. Place the assembly so that the castered tires are on the front and the fixed tires are on the back. **See figure 2.** Secure with 1/2" x 3-1/2" hex head bolts and lock nuts provided on the pivot arms. Mount the height adjust screw on the deck assembly in the hole provided. Secure with the 1/2"x1" hex head bolt and lock nut provided on the height adjust screw.

**Note:** Tighten 1/2" x 3-1/2" and 1/2" x 1" hex head bolts until just snug. This area needs to pivot when adjusting the height. Under tightening can result in excessive wear and flexing. Over tightening will make adjusting the cutting height very difficult.

## **B. INSTALLATION OF TONGUE ASSEMBLY**

1. The tongue can be installed either on the left or right caster assembly depending on how the tow-behind mower will be towed. **See figure 2.** Secure the hitch pivot on the chosen caster assembly with the 1/2" x 3-1/2" hex head bolt, lock washer, and nut provided.
2. Install the tongue into the hitch pivot and secure by placing the provided 5/16" wire lock pins on each side of the hitch pivot.

**Note:** To help prevent any unwanted pin removal caused by oncoming debris install the 5/16" wire lock pins with the wire lock section back from the direction of travel. **See Figure 3.**

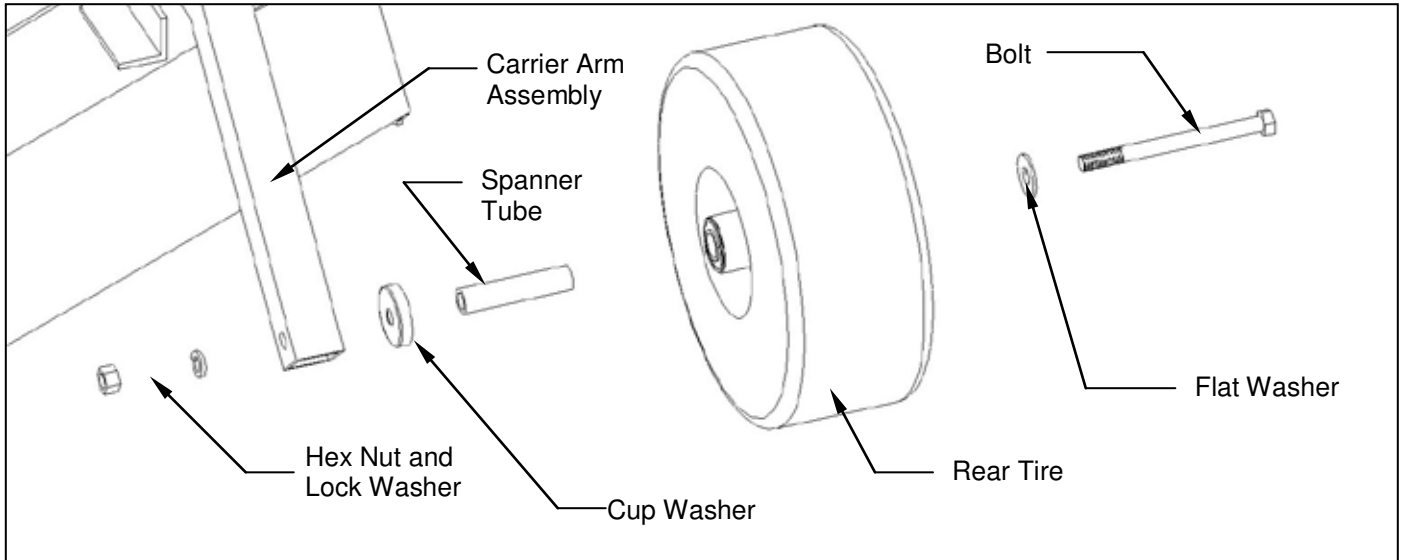


Figure 1: Rear Tire Assembly Installation

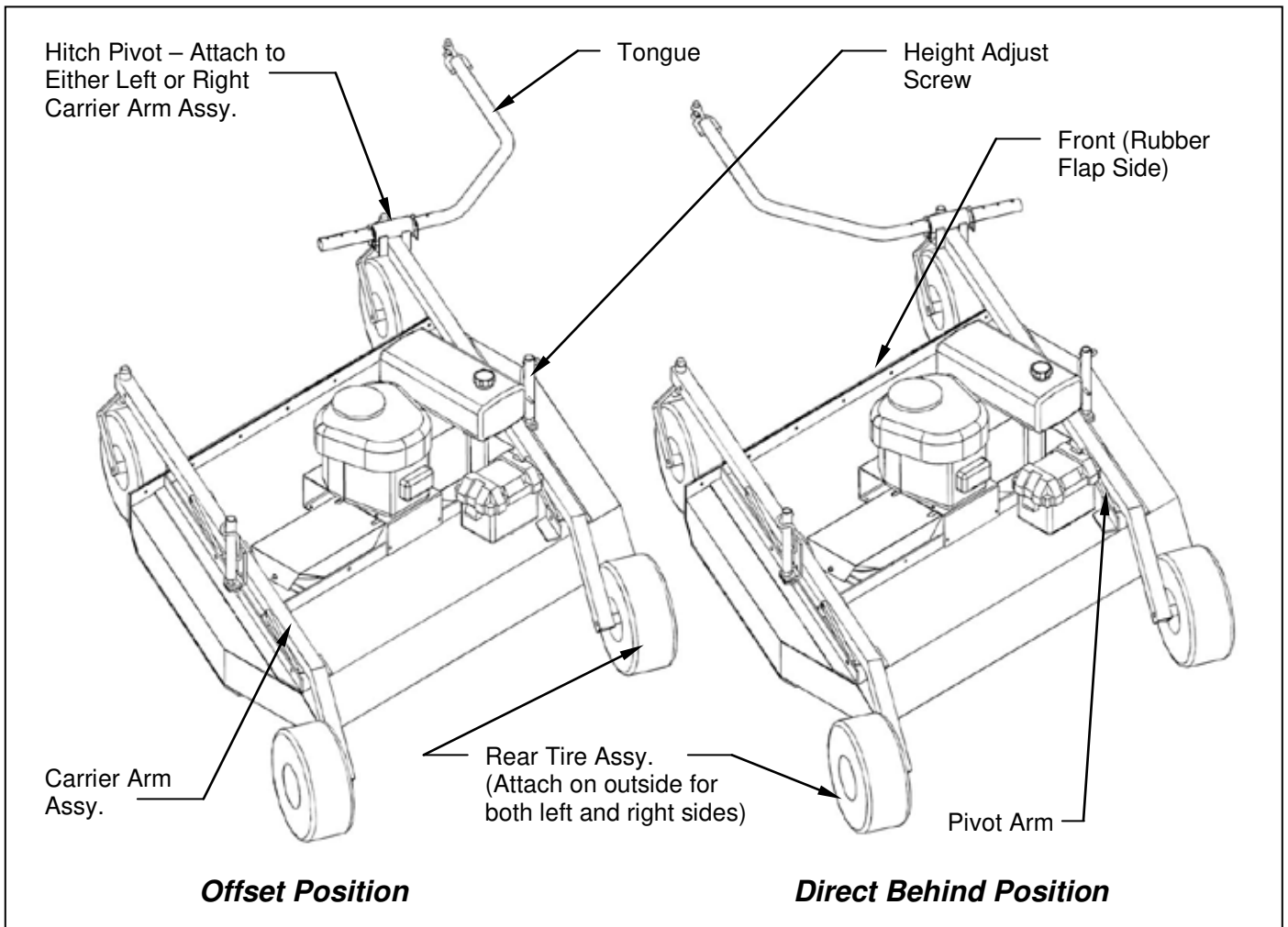


Figure 2: Assembly of Carrier Arm Assy., Hitch Pivot, and Tongue

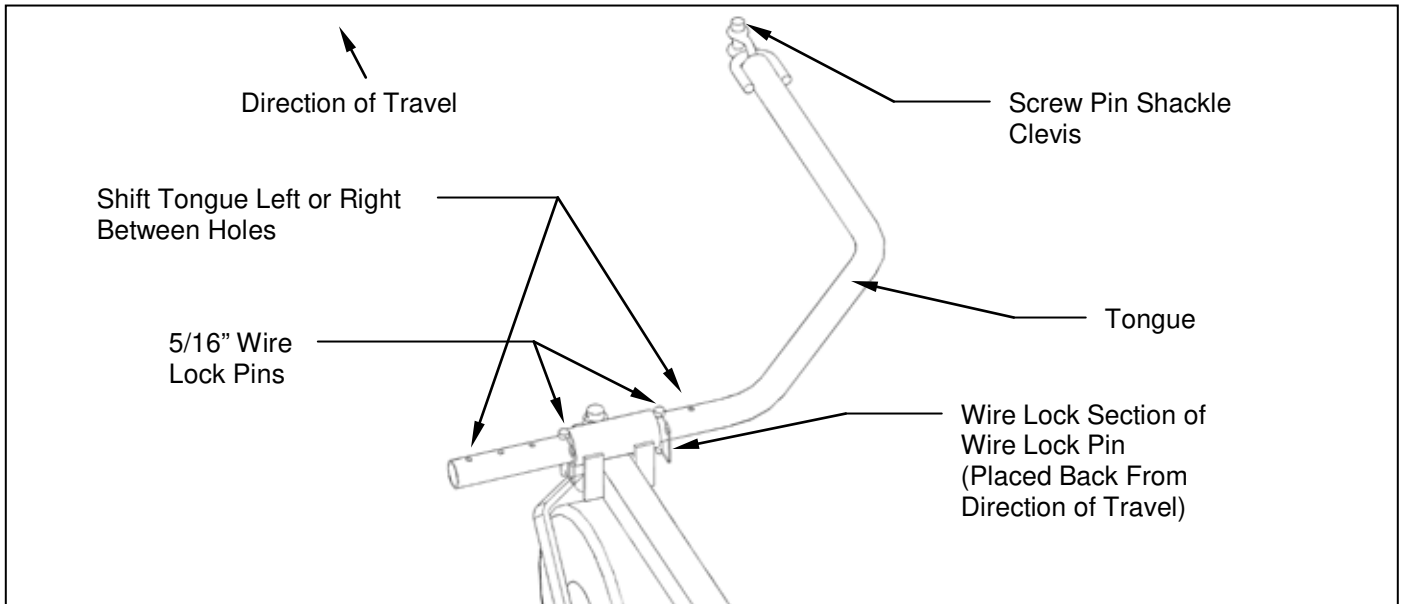


Figure 3: ATV Tongue Assembly

## OPERATIONS AND ADJUSTMENTS



This safety alert symbol is used to indicate safety instructions. Follow these instructions to avoid personal injury and/or property damage. Read and follow all instructions in this manual and the attached engine manual.



**WARNING:** Do not allow anyone to operate this equipment who has not fully read and comprehended the safety manual and who has not been properly trained in the safe operation of the equipment.



**WARNING:** Operator should be familiar with all functions of the unit.

### A. TONGUE CONFIGURATIONS AND ADJUSTMENTS



**WARNING:** Shut off the engine and allow the mower blades to come to a complete stop before adjusting the tongue.

The hitching system is designed so that the rough cut mower can be pulled directly behind a tow vehicle or offset to the left or right. **See Figure 4.**

**Note:** When pulling the mower directly behind, the hitch pivot should be fastened on the right carrier arm for maximum maneuverability. **See Figure 2.** When pulling the mower in the offset position the hitch pivot can be fastened on either the right or left carrier arm. **See Figure 2.**



The tongue is equipped with a screw pin shackle clevis to provide movement in all directions on rough uneven ground. To prevent loss of the screw pin due to vibration or debris, place the screw pin through the tow vehicle hitch and clevis and turn the screw pin until snug.

The tongue is designed to adjust from left to right within the hitch pivot. This allows the mowers position to be varied behind the tow vehicle. This is accomplished by pulling the 5/16" wire lock pins out and choosing two other hole locations on the tongue. **See Figure 3.**

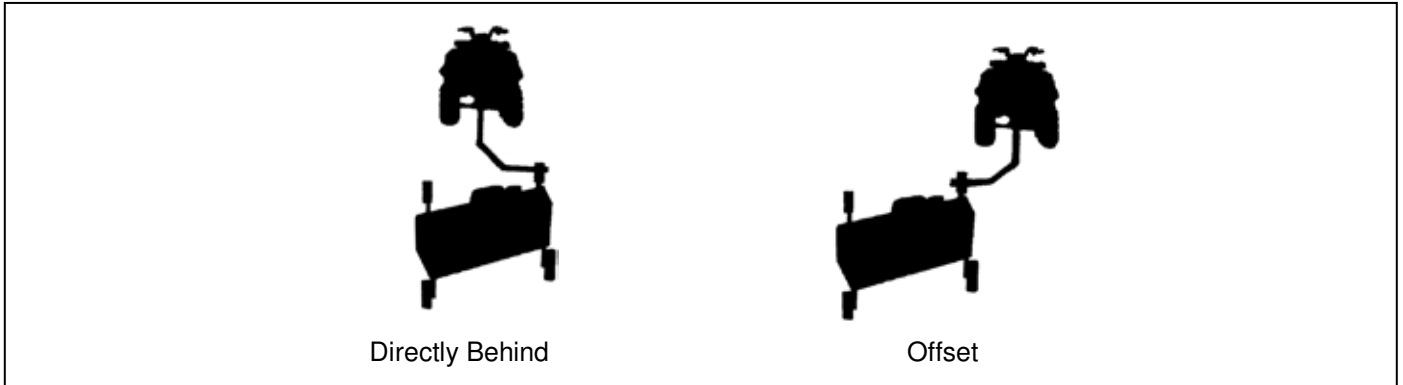


Figure 4: Rough Cut Tow Behind Towing Suggestions

### B. ADJUSTING CUTTING HEIGHT



**WARNING:** Shut off the engine and allow the mower blades to come to a complete stop before adjusting the cutting height.

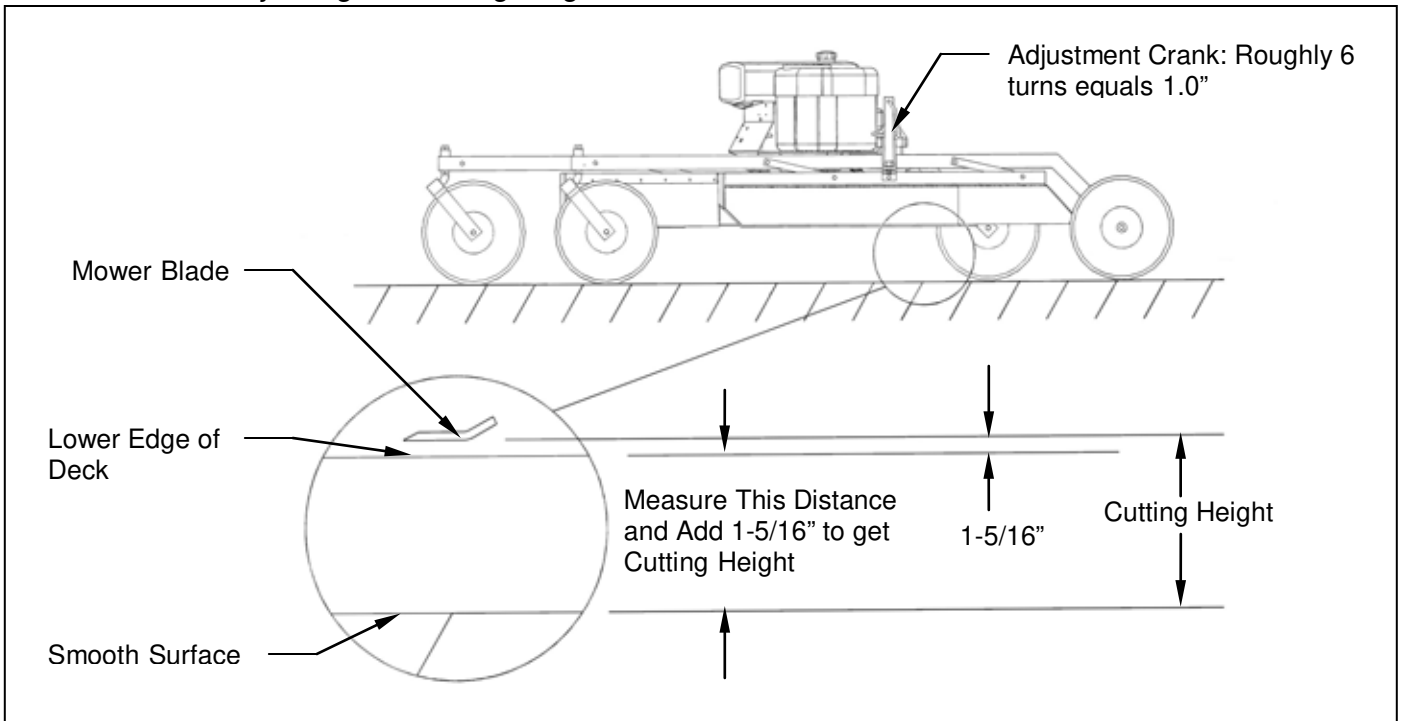


Figure 5: Adjusting Rough Cut Mower Cutting Height

The cutting height can be adjusted in a range from 2.0" to 8.0". This is accomplished by turning the height adjust cranks on both sides of the mower. **See Figure 5.** Turn the cranks clockwise to raise the mower cutting height and counter-clockwise to lower the mower cutting height.

**⚠ DANGER:** Shut off tow vehicle engine and allow mower blades to stop completely before attempting to measure the cutting height.

Adjust the mower as follows:

1. Pull the mower on to a smooth, level surface.
2. Adjust the mower evenly from side to side by measuring to the ground from the lower edge of the mower deck. The desired height will be the distance from the ground to the outside lower edge of the mower deck plus 1-5/16". The mower blade cutting edge is 1-5/16" above the outside lower edge of the mower deck.

**Note:** If the height adjust cranks do not turn easily, the pivot bolts holding the carrier arm assemblies and height adjust screw may be too tight. Loosen the pivot bolts slightly to allow easier pivoting. Care should be taken not to loosen too much or excess wear and flexing may occur. Greasing the threads may also allow greater ease in adjustment.

**Note:** After leveling mower deck, quick field adjustment can be completed by counting crank turns. Roughly 6 turns will equal 1" of vertical movement.

The adjustment crank may unturn due to vibration. This will allow the mower's cutting height to change. The crank can be secured by folding it down between the adjustment nut tube and the upper pivot support. **See Figure 6.**

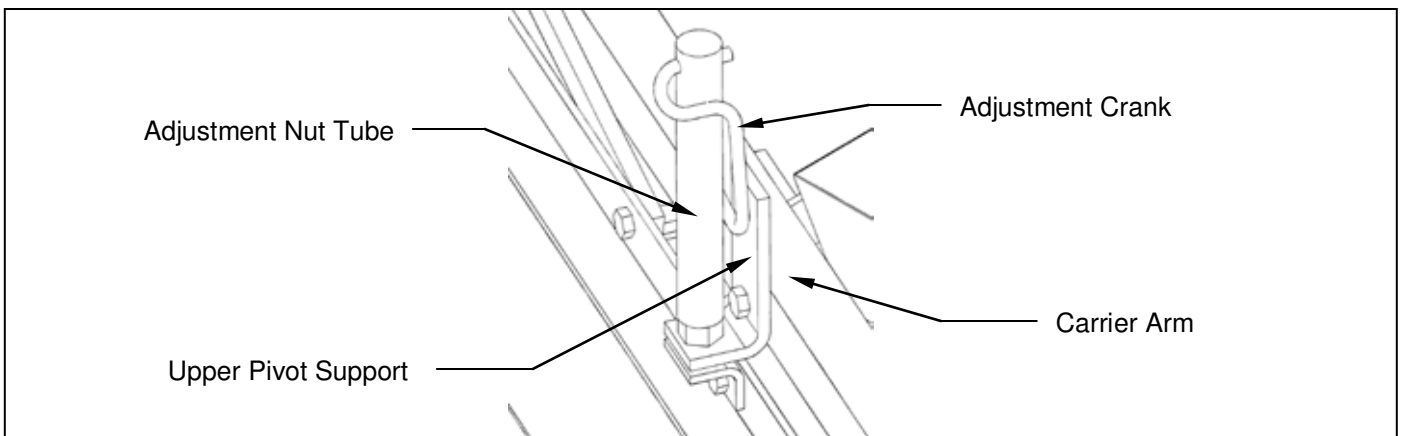


Figure 6: Securing Crank While Not In Use

### C. STARTING ENGINE



**WARNING:** Set parking brake on tow vehicle.

Attach mower tongue to tow vehicle.



**WARNING:** Do not start rough cut mower unless it is attached to the tow vehicle.

Turn on the fuel shut off valve (red colored rotating knob) located inline on the fuel hose. The **off** position on the valve is when the red handle lines up with the “O” symbol.

Set the choke to the desired position.

Set the throttle at approximately half throttle.

Start engine and allow engine to warm up.

Set the engine speed at about half throttle and engage the mower blades clutch by pulling outward on the PTO switch. (The PTO switch is located at the front of the mower deck on the control panel.)

**Note:** To help extend the life of the clutch the engine rpm should be placed as low as possible before clutch engagement. If the engine should stall during clutch engagement raise the engine rpm until clutch engagement is possible.



**CAUTION:** If the mower’s engine dies while in use, remove the rough cut mower from the uncut area before attempting to engage the clutch. Inspect the blades for any obstructions that may prevent blade engagement. Failure to follow these instructions may result in premature clutch and belt failure or a fire.

Adjust engine speed to full throttle.

### D. SHUTTING OFF ROUGH CUT MOWER



**WARNING:** Shift to neutral and set the parking brake before dismounting the tow vehicle.

Slow the engine speed down and disengage the clutch by pushing inward on the PTO switch.

Allow engine to cool down for a short time before moving the ignition switch to the **off** position.

Turn off the fuel shut off valve (red colored rotating knob) located inline on the fuel hose. The **off** position on the valve is when the red handle lines up with the “O” symbol.

## E. MOWER OPERATION



**DANGER:** Keep hands, feet, hair and clothing away from moving parts.



**CAUTION:** Clean or replace any safety signs that are not readable or damaged.



**WARNING:** Remove all objects from the work area that might be picked up and thrown by the blades.



**WARNING:** Do not mow when children and others are around.



**WARNING:** Do not fill fuel tank while engine is running or hot.



**WARNING:** Keep all safety shields and deflectors in place during operation.



**CAUTION:** Remove grass build up from under safety shields before each use. Do not remove safety shields while engine is running. Dry grass build up around belts and sheaves can cause fires.



**WARNING:** Shut off engine before disconnecting the mower from the tow vehicle or attempting to move the wing mower by hand.



**WARNING:** Never carry children or passengers.



**WARNING:** Do not allow children to operate this machine.



**CAUTION:** Slow down and watch the ends of the mower when making turns so objects are not struck and/or run over.



**WARNING:** Look down, to the sides, and behind before and while backing to avoid backing over something or someone. Care should also be taken while backing so that the wing mower or mowers do not jackknife and damage hitches.



**WARNING:** Stop the mower blades on the mower if the tow vehicle becomes stuck or stops going forward because of loss of traction. Shut off the engine on the mower before attempting to push or pull the tow vehicle.

Listen to the rough cut mower engine while mowing. The engine should run free and not work too hard. Working the engine too hard will cause overheating and premature failure.



**CAUTION:** If the mower's engine dies while in use, remove the rough cut mower from the uncut area before attempting to engage the clutch. Inspect the blades for any obstructions that may prevent blade engagement. Failure to follow these instructions may result in premature belt failure or a fire.

Do not allow material to build up on the air inlet to the engine cooling system. Special care should be taken to make sure the engine is getting enough inlet air. Do not allow the engine cooling fins under the shroud to be blocked. If air flow over the engine is restricted, the engine could overheat.

**F. DRIVE BELT REMOVAL AND TENSION – Refer to Figure 7**



**WARNING:** Shut off engine and allow mower blades to stop turning before making any adjustments or repairs.

Remove the safety shields.

Loosen the nuts on the spring-loaded idler; adjust bolt until the belt can be slipped off the idler and drive sheaves.

Slip the belt down under the drive sheave and off the blade spindle sheaves.

Install the new belt and then adjust the tension as follows: **See Figure 7.**

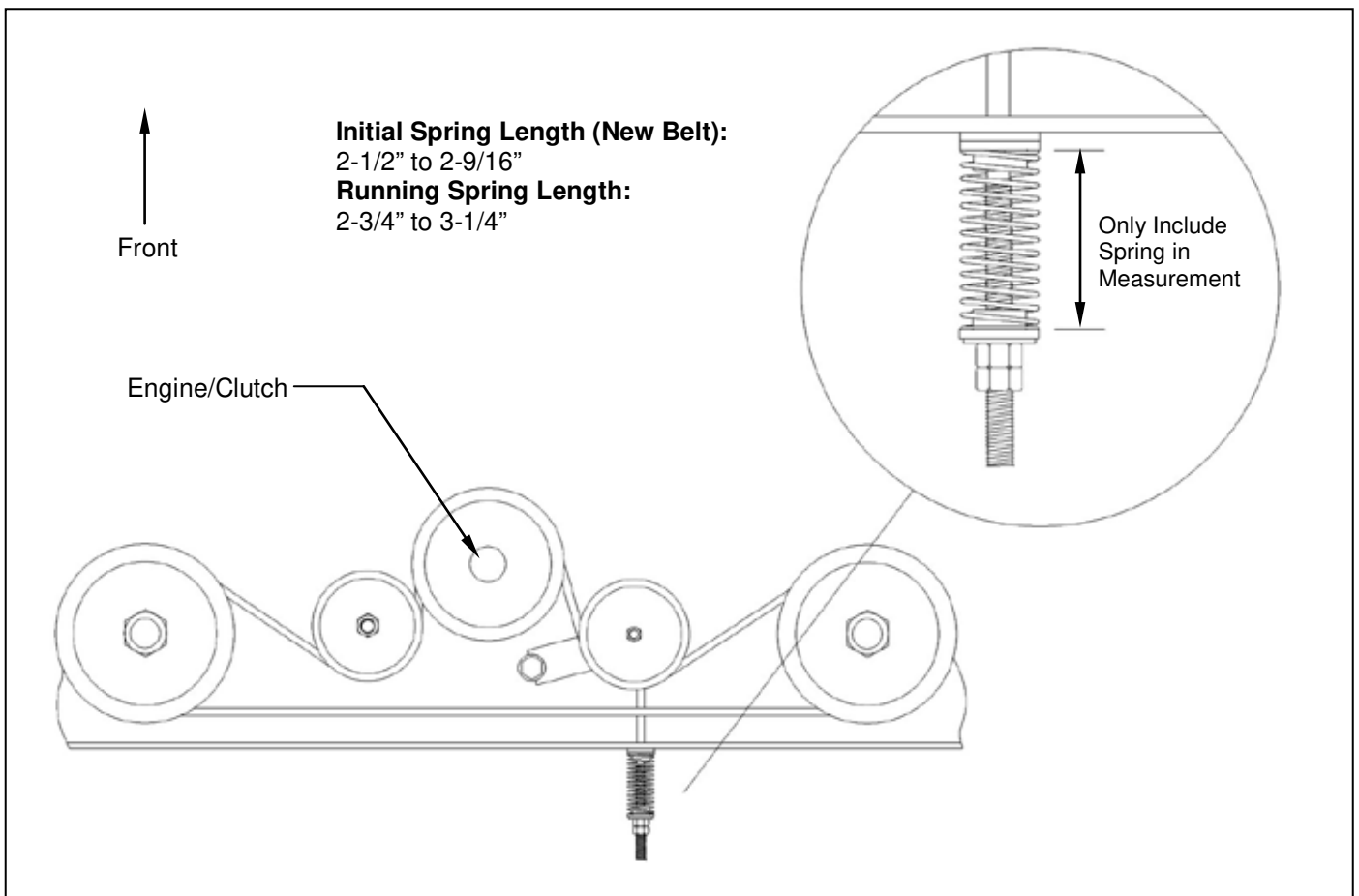


Figure 7: Belt Pattern and Spring Adjustment

Adjust the nuts on the spring-loaded idler adjuster bolt until the length of the spring is between 2-1/2" and 2-9/16". This is the initial belt break in spring length. When the belt is broken in after several hours of mowing, the running spring length should be between 2-3/4" and 3-1/4". For maximum belt life, periodic checks every 3-4 hours should be done to make sure the spring length has not exceeded the recommended running length.

**Note:** Failure to periodically adjust the belt tension will result in severe belt wear and premature belt failure.

## G. MOWER BLADE REMOVAL, BALANCING & INSTALLATION



**CAUTION:** Sharp blades can cause bodily injury if not handled properly.

When removing the blade, it is recommended that a block of wood be placed between the blade and the underside of the mower deck. This will allow the removal of the blade without the need to hold the blade by hand.



**CAUTION:** Always balance the mower blades each time they are sharpened.

Out of balance mower blades cause excess vibrations which lead to premature bearing failures, bolts coming loose, and overall deterioration of the wing mowers.



**CAUTION:** Always properly tighten the blade bolts to the specified torque. Failure to do so can lead to unwanted loosening of the blade and damage to the blade holding saddle.

The Models MR55BE and MR55KE use the Kunz Engineering Part # (202141) blade bolt. This particular hex head bolt is a 3/4" – 16NF x 1-1/4" long, grade 5 and it's proper torque is 300 ft-lbs.

To ease in the blade installation process, use the same block of wood and method used during the removal of the blades.

## H. LUBRICATION

There are three lubrication points on the rough cut mower -- one spring-loaded idler pivot and two caster wheel pivots. Lubricate at approximately 10 hr. intervals or more often as required in dusty conditions.

## I. FUSE LOCATION

These particular mowers come equipped with a 10 AMP mini blade type fuse. The fuse is located behind the ignition switch/control panel in a black rubber inline fuse holder.

## J. STORAGE

Turn off the fuel shut off valve (red colored rotating knob) located inline on the fuel hose. The **off** position on the valve is when the red handle lines up with the "O" symbol. If the mower is stored outside, the engine should be covered to prevent water from getting inside the engine during heavy rainstorms. See the Engine Manual for additional information.

**K. EPA EVAPORATIVE COMPONENTS**

This mower has been designed and built to meet all current EPA regulations. Any modification to the fuel tank, fuel lines, vapor hose, fuel cap, roll-over / fuel vapor valve, carbon canister (California Only) and hose clamps are prohibited. Replacement evaporative components should be purchased from Kunz Engineering. Any questions about EPA regulations or evaporative components can be directed to Kunz Engineering Inc. at 815-539-6954.

# ACREASE ROUGH CUT MOWER SPECIFICATIONS

	<b>Model MR55BE</b>	<b>Model MR55KE</b>
<b><u>ENGINE:</u></b>		
Engine Make	Briggs & Stratton	Kohler
Engine Model	Commercial Turf	Confidant
Cylinders	2	2
Cycles	4	4
Crankshaft	Vertical	Vertical
Engine HP	27	25
Bore	3.30"	3.30"
Stroke	2.89"	2.70"
Displacement	49.43 cubic inches	45.60 cubic inches
Oil Capacity	2.1 U.S. qts.	2 U.S. qts.
Crankshaft Dia.	1"	1"
Key Slot	1/4"	1/4"
Crankshaft Length	3.15"	3.15"
Threaded Hole in Crankshaft End	7/16-20	7/16-20
Engine Mounting Bolts	5/16-18 x 1.50" Through Bolt	3/8-16 x 1" Thread Rolling
Starter	Electric	Electric
Choke	Manual	Manual
Fuse	10 AMP	10 AMP
<b><u>MOWER:</u></b>		
Fuel Tank	3 Gal.	3 Gal.
Effective Cutting Width	57"	57"
Deck Construction	10 ga. Welded steel	10 ga. Welded steel
Cutting Height	2" to 8"	2" to 8"
Height Adjustment	2 Cranks	2 Cranks
Rear Wheels (Fixed) (4 ply Turf Pnuematic)	Two 15/600 x 6	Two 15/600 x 6
Front Wheels (Caster) (4 ply Turf Pnuematic)	Two 5.30/4.50 x 6	Two 5.30/4.50 x 6
Blade Dia.	2-30"	2-30"
Engine Speed, Blades Running	3600 RPM	3600 RPM
<b><u>CLUTCH TYPE</u></b>		
	Electric	Electric
<b><u>DIMENSIONS</u></b>		
Length	108"	108"
Width	60"	60"
Height	29"	29"
Weight	580 lbs	580 lbs
<b><u>HITCH</u></b>		
Hitch Type	ATV Tongue	ATV Tongue
<b><u>TOUCH-UP PAINT COLOR</u></b>		
	Pewter Gray, Krylon #1606	Pewter Gray, Krylon #1606

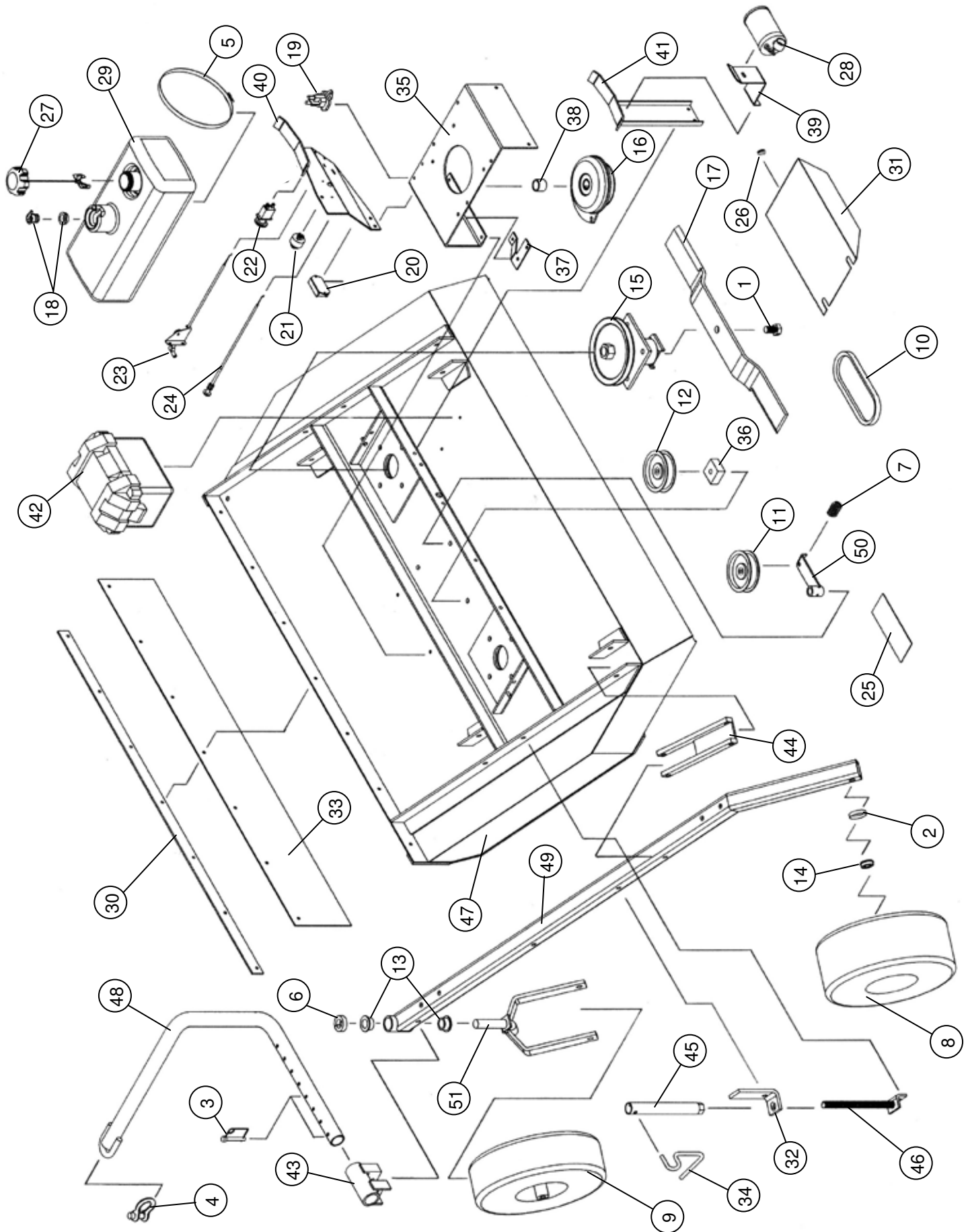


# ACREASE ROUGH CUT MOWER PARTS LIST

<u>Item</u>	<u>Part #</u>	<u>Description</u>	<u>Quantity</u>
1	202141	Blade Bolt, .75"-16UNF x 1.25"	2
2	214030	Cup Washer	6
3	216002	Wire Lock Pin, .31" x 2.50"	2
4	216009	Screw Pin Shackle Clevis	1
5	222005	Worm Drive Hose Clamp (7-7/8" to 9-1/8" Clamping Dia.)	2
6	222012	Single Split Collar (1" I.D. x .1/2" Thick)	2
7	225005	Compression Spring, 4.50"L x 1-3/32" O.D. x .125" Wire dia.	1
8	226012	Offset Wheel Assy. (15/600 x 6, 2 Ply Turf)	2
8	226014	Offset Wheel Assy. (15/600 x 6, Urethane Foam-Flatproof)	Optional
9	226013	Centered Wheel Assy. (5.30/4.50 x 6, 2 Ply Stud)	2
9	226015	Centered Wheel Assy. (5.30/4.50 x 6, Urethane Foam-Flatproof)	Optional
10	238004	"V" Belt, .62" x 95.9" O.C.	1
11	241001	Flat Idler, 4" O.D. x 3/8" Hole	1
12	241009	Flat Idler (Steel), 4" O.D. x 1/2" Hole	1
13	243010	Plastic Bearing, 1-3/8" O.D. x 1.00" I.D.	4
14	243015	Precision Sealed Wheel Bearings (2" O.D. x 1" I.D.)	8
15	258022	Spindle Assy.	2
	900075	Spindle Shaft (1)	
	900160	Housing Assy. (With Two Bearings) (1)	
	243006	Bearing (6206 w/ Trash Guard Seals) (2)	
	600271	Bearing Spacer (3.33" Long) (1)	
	241008	Sheave, (7-1/2" Dia., B-Section) (1)	
16	258018	Electric Clutch	1
17	259002	Offset Mower Blade, 2-1/2" Wide, 30" Long, 3/4" Hole	2
18	260004	Roll-Over / Fuel Vapor Valve (Includes Rubber Gromet)	1
19	264000	Solenoid	1
20	264003	Hour/Tack Meter	Optional
21	264010	Ignition Switch	1
22	264005	PTO Switch	1
23	269008	Throttle Control, 46" (MR55KE)	1
23	269009	Throttle Control, 27" (MR55BE)	1
24	269010	Choke Control, 27" (MR55BE)	1
24	269011	Choke Control, 46" (MR55KE)	1
25	275001	Control Panel Decal, Starting Instructions	1
25	275002	Warning Decal General	1
25	275003	Danger Decal, Cut Finger	2
25	275007	Warning Decal, Belt Shield	2
25	275019	Name Decal, Kunz	1
25	275021	Name Decal, AcrEase	1
25	275022	Name Decal, 57" Rough Cut	1
26	277002	Rubber Gromet	6
27	277035	Gas Cap - Audible Click/Tethered, Non-Venting	1
28	277036	Carbon Canister - 300cc (California Only)	1
29	277040	Fuel Tank, 3 Gal., 3-Layer EPA Certified	1
30	600126	Flap Retainer Strip	1

<u>Item</u>	<u>Part #</u>	<u>Description</u>	<u>Quantity</u>
31	600133	Belt Sheild	2
32	600142	Upper Pivot Support	2
33	600143	Safety Belting	1
34	600146	Crank Arm	2
35	600172	Engine Support Bracket	1
36	600189	Idler Spacer Block	1
37	600198	Clutch Stop	1
38	600200	Spacer, 1.38" O.D. x 1.33" Wall x 1.00" Long	1
39	600290	Canister Support (California Only)	1
40	600305	Control Panel	1
41	600306	Tank Support	1
42	900049	Battery Box Assy.	1
43	900058	Hitch Pivot	1
44	900061	Pivot Arm	4
45	900062	Height Adjust Nut	2
46	900066	Screw Adjuster	2
47	900069	Mower Deck	1
48	900082	Tongue	1
49	900106	Carrier Arm	2
50	900128	Idler Arm Assy.	1
	243000	Bronze Bearing, 1/2" I.D. x 3/4" O.D. x 1.50" Long	1
51	900148	Caster Fork	2

# ACREASE ROUGH CUT MOWER PARTS



## OPTIONAL EQUIPMENT

### OPTIONAL WETLANDS KIT

The optional wetlands kit features an extra set of tires for added ground support in soft or water saturated areas. The following are applications and features that the wetlands kit works best in.

- Great for wetlands or marshy areas that stay wet all year around.
- Works well in combination with small personal amphibious vehicles or tracked ATVs.
- More than doubles the tire surface area in contact with the ground.
- Very easy to install bolt-on kit.
- Works on all existing and new rough cut mowers.
- The rough cut mower **will not** float with the wetlands kit installed. Water greater than 2-3" in depth should be avoided.
- With the Wetlands Kit installed the minimum cutting height is 3.5" – 4".



Wetlands Kit (Part # 003905)

## OPTIONAL EQUIPMENT

### OPTIONAL ELECTRIC LIFT KIT

The optional electric lift kit consists of all of the mounting hardware, brackets, electric actuator and wiring with remote control panel.

- Great for constantly changing terrain and grass/brush heights.
- Allows for quick cutting height changes on the go from the seat of the tow vehicle.
- Raise up and over rocks and logs with ease.
- Heavy duty 1500 lb linear screw actuator made by Linak.
- Works on all existing and new rough cut mowers.



Electric Lift Kit (Part # 003909)

# OPTIONAL EQUIPMENT

## OPTIONAL FLOATATION KIT

The optional floatation kit consists of one additional front and rear tire, mounting brackets and hardware.

- Great for mowing around ponds and on rough uneven ground where scalping would normally occur.
- Clamping style receiver allows for adjustments from side to side with both the front and rear tires.
- Pinned receivers make for quick kit removal when not needed.
- Works on all existing and new rough cut mowers.



### Part numbers needed for standard manual lift rough cut models.

Rear Floatation Kit (Part # 003907)

Front Floatation Kit (Part # 003908)

Cross Brace Tube (Part # 900113) (Purchase one brace for each front and rear kit)

### Part numbers needed for rough cut models with the electric lift kit.

Rear Floatation Kit (Part # 003907)

Front Floatation Kit (Part # 003908)